

YZF2

SETTING SHEET Ver.01

CIRCUIT

YATABE ARENA

- INDOOR ○ OUTDOOR
- WET ○ DRY ○ DUSTY ● OTHER
- LOW TRACTION ○ MED TRACTION ● HIGH TRACTION
- SMOOTH ● BUMPY ○ BLUE GROOVE ● ASTROTURF
- CARPET ○ WOOD

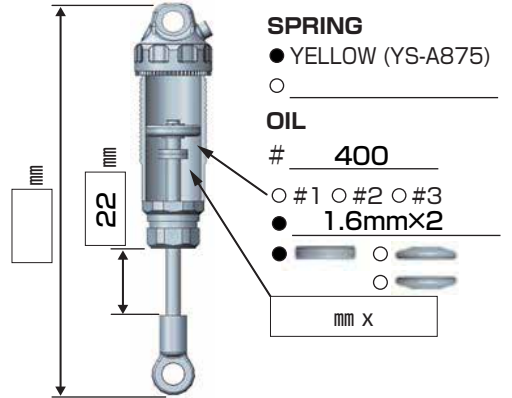
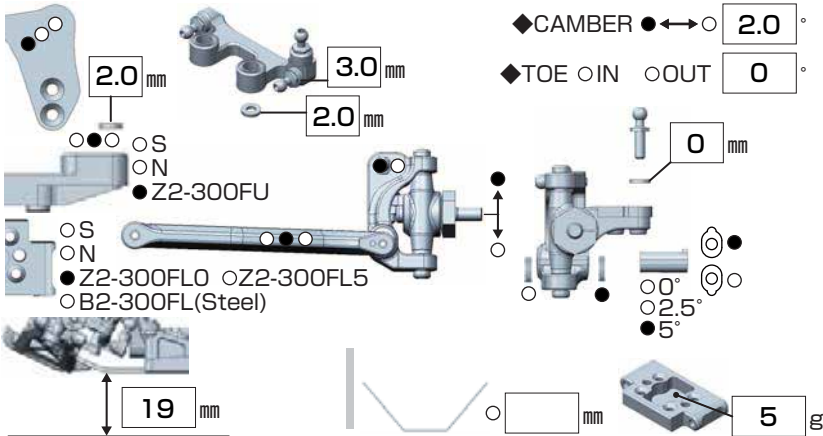
DRIVER

Shinnosuke Adachi

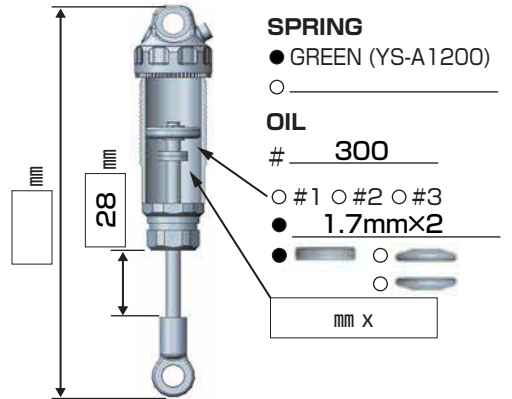
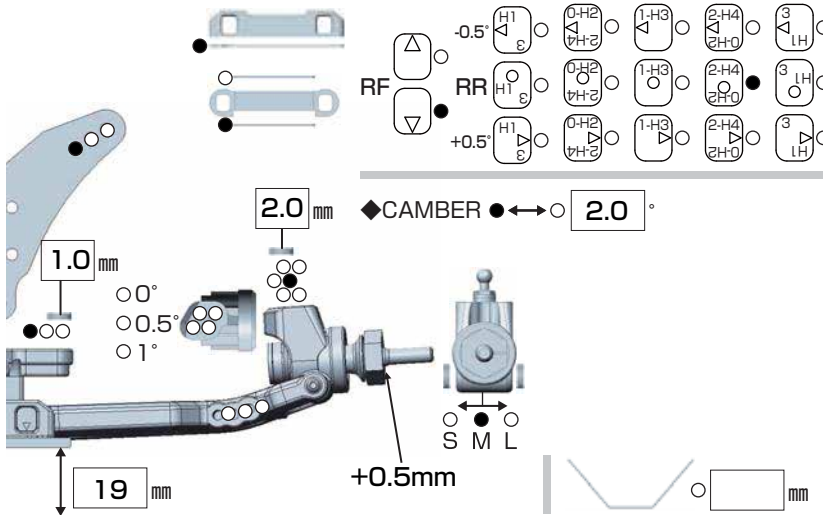
DATE

27 / Dec /2014

FRONT



REAR

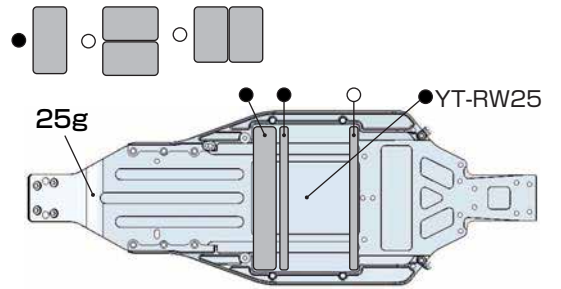


DRIVE



- MOTOR ⇨ REEDY 6.5T ○Bonded ○Sintered mm
- GEAR ⇨ Spur 80 T / Pinion 22 T : 2.6
- BATTERY ⇨ REEDY
- ESC ○ Racing Performer X Series
- SE140R

Battery placement

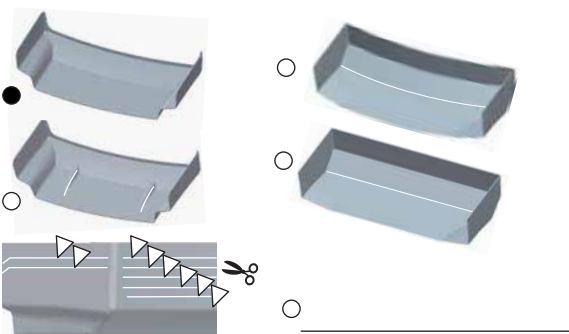


TIRE

- FRONT**
- TIRE ⇨ Cut Stagger
- INSERTS ⇨ None
- WHEELS ⇨ YOKOMO

- REAR**
- TIRE ⇨ Mini Pin
- INSERTS ⇨ Blue
- WHEELS ⇨ YOKOMO

OTHER



COMMENT