

# YZ-4

## SETTING SHEET Ver.01

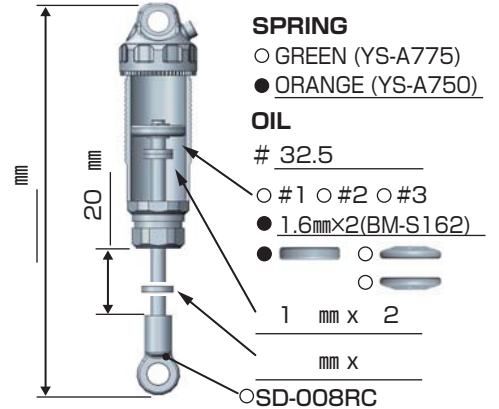
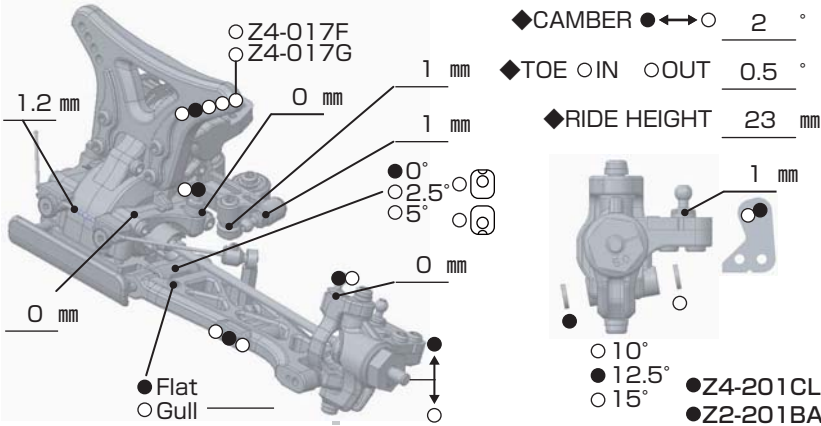
CIRCUIT ダート スタートセットアップ(チャンプスタジアム)

- INDOOR  OUTDOOR
- WET  DRY  DUSTY  OTHER
- LOW TRACTION  MED TRACTION  HIGH TRACTION
- SMOOTH  BUMPY  BLUE GROOVE  ASTROTURF
- CARPET  WOOD  CLAY

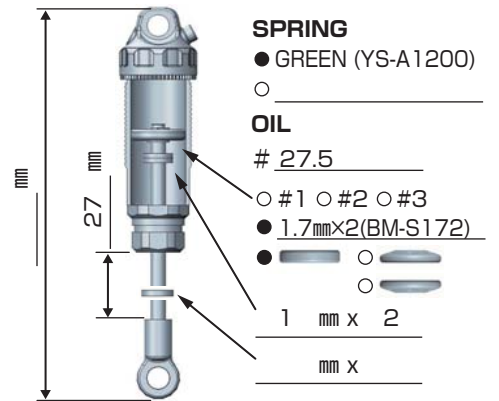
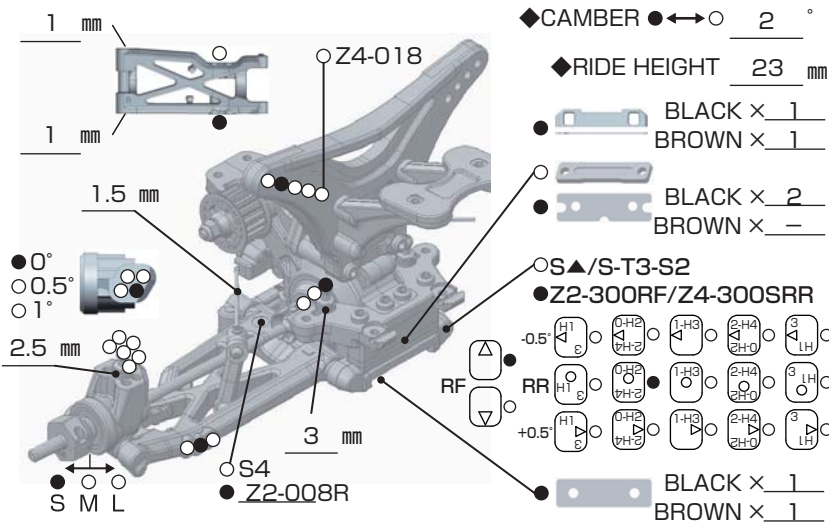
DRIVER 足立伸之介

DATE 2015/12/01

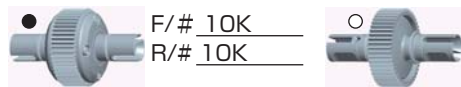
### FRONT



### REAR

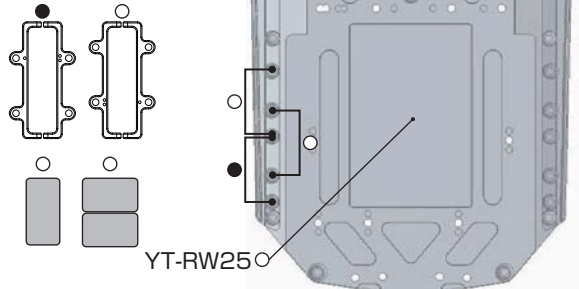


### DRIVE



- MOTOR  $\rightarrow$  6.5T  Bonded  Sintered mm  
 GEAR  $\rightarrow$  Spur 87T / Pinion 20T : 2.6  
 BATTERY  $\rightarrow$  Shorty  
 ESC  Racing Performer X Series  
 \_\_\_\_\_

Battery placement

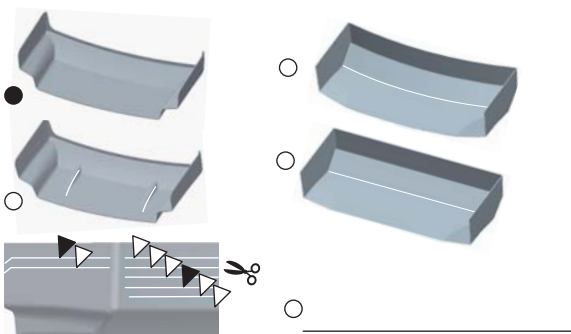


### TIRE

- FRONT**  
 TIRE  $\rightarrow$  T-725C Panther / Clay  
 INSERTS  $\rightarrow$  \_\_\_\_\_  
 WHEELS  $\rightarrow$  B4-821

- REAR**  
 TIRE  $\rightarrow$  T-755C Panther / Clay  
 INSERTS  $\rightarrow$  \_\_\_\_\_  
 WHEELS  $\rightarrow$  B4-827

### OTHER



### COMMENT

装着オプションパーツ

Z4-412	Z4-203A	Z4-TBS	Z4-TSS
Z2-415ROO	Z4-644H	Z2-670VP	Z2-300RF
B4-300B	Z4-300SRR	Z4-300RFS	Z4-300RRS
Z4-309C	Z4-304C	Z4-304LC	Z2-S2SD
Z2-S2LD	YS-8BH	Z2-008R	Z2-010RB