

YZ-FDT

SETTING SHEET Ver.02

CIRCUIT

- INDOOR OUTDOOR
 DIRT ASTROTURF CARPET GLASS WOOD
 WET DRY DUSTY SMOOTH BUMPY
 HARD PACKED CLAY BIUE GROOVE _____
 LOW TRACTION MED TRACTION HIGH TRACTION

DRIVER

DATE

FRONT

Flat
 Gull
 Z2-017D(Plastic)

Z2-300FU
 OS (Plastic)
 ON (Plastic)

Flat Gull
 Graphite

Z2-300FLO
 Z2-300FL5
 B2-300FL(Steel)
 OS (Plastic)

Z2-200
 Graphite
 4.3
 5.0
 Z2-415A

CAMBER $\circ \leftrightarrow \circ$ _____ °
 TOE IN OUT _____ °
 RIDE HEIGHT _____ mm

0°
 2.5°
 5°

SPRING

YELLOW (YS-A875)

OIL

#1 #2 #3

mm x _____

mm x _____

SD-008RC

REAR

Aluminum
 Aluminum

RF

RR

-0.5°
 +0.5°

CAMBER $\circ \leftrightarrow \circ$ _____ °
 RIDE HEIGHT _____ mm

0°
 0.5°
 1°

Z2-300RUD
 Z2-008R

S M L

SPRING

GREEN (YS-A1200)

OIL

#1 #2 #3

mm x _____

mm x _____

DRIVE



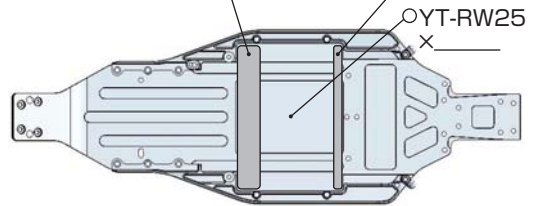
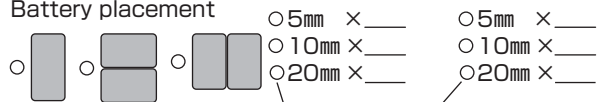
MOTOR \diamond _____ Rotor _____ mm

GEAR \diamond Spur T / Pinion T : 2.6

BATTERY \diamond _____

ESC YOKOMO RPX YOKOMO BL-PRO

Battery placement



TIRE

FRONT

TIRE \diamond _____

INSERTS \diamond _____

WHEELS \diamond _____

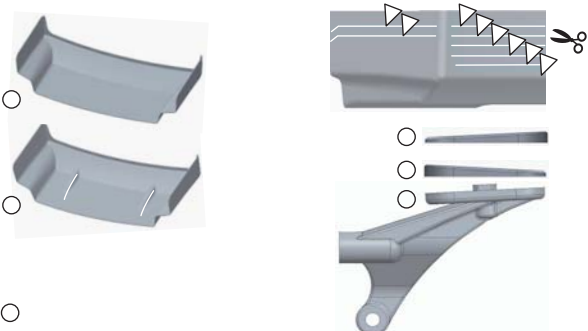
REAR

TIRE \diamond _____

INSERTS \diamond _____

WHEELS \diamond _____

OTHER



COMMENT
