

YZF2

SETTING SHEET Ver.02

CIRCUIT

- INDOOR OUTDOOR
- WET DRY DUSTY OTHER
- LOW TRACTION MED TRACTION HIGH TRACTION
- SMOOTH BUMPY BLUE GROOVE ASTROTURF
- CARPET WOOD

DRIVER _____

DATE / /

FRONT

CAMBER \leftrightarrow _____ °
 TOE IN OUT _____ °

Z2-300FU
 Z2-300FLO Z2-300FL5
 B2-300FL(Steel)

0°
 2.5°
 5°

SPRING
 YELLOW (YS-A875)

OIL
 # _____
 #1 #2 #3

 mm X _____

REAR

RF \triangle -0.5° \triangle 0° \triangle +0.5°
RR ∇ -0.5° ∇ 0° ∇ +0.5°

CAMBER \leftrightarrow _____ °

0°
 0.5°
 1°

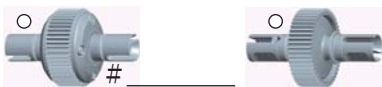
S M L

SPRING
 GREEN (YS-A1200)

OIL
 # _____
 #1 #2 #3

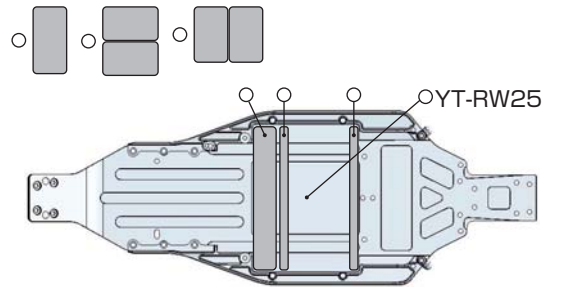
 mm X _____

DRIVE



- MOTOR \triangleright _____ Bonded Sintered _____ mm
 GEAR \triangleright Spur T / Pinion T : 2.6
 BATTERY \triangleright _____
 ESC Racing Performer X Series

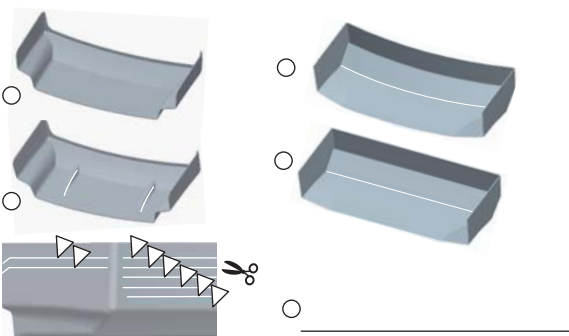
Battery placement



TIRE

- | | |
|--------------------------------|--------------------------------|
| FRONT | REAR |
| TIRE \triangleright _____ | TIRE \triangleright _____ |
| INSERTS \triangleright _____ | INSERTS \triangleright _____ |
| WHEELS \triangleright _____ | WHEELS \triangleright _____ |

OTHER



COMMENT
