

YZ-4

SETTING SHEET Ver.01

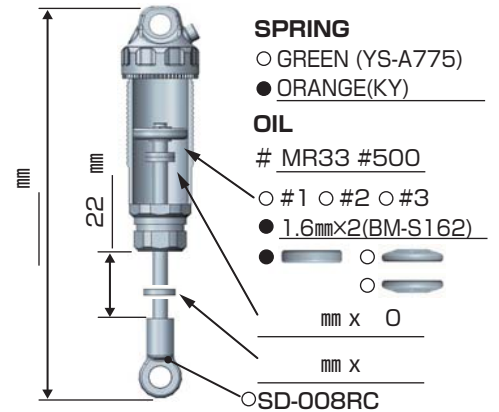
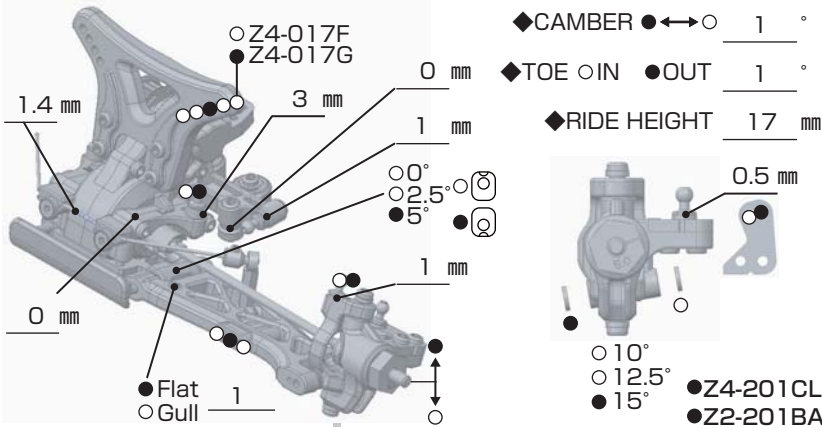
CIRCUIT Cactus classic @ SRS Raceway

- INDOOR ○ OUTDOOR
- WET ○ DRY ○ DUSTY ○ OTHER
- LOW TRACTION ○ MED TRACTION ● HIGH TRACTION
- SMOOTH ○ BUMPY ○ BLUE GROOVE ○ ASTROTURF
- CARPET ○ WOOD ● CLAY

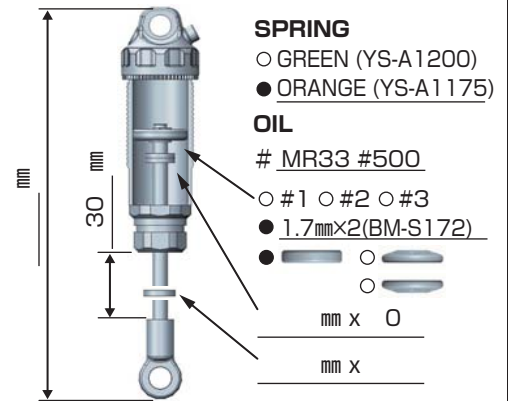
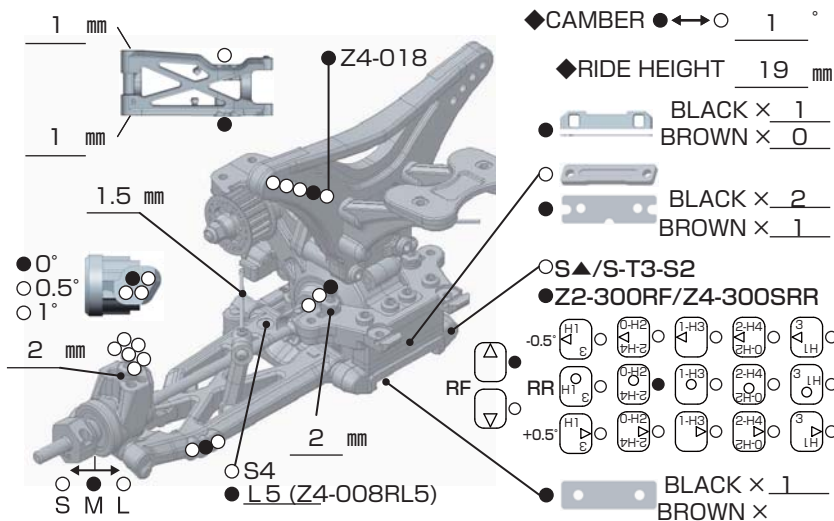
DRIVER Carson Wernimont

DATE 2016/03/13

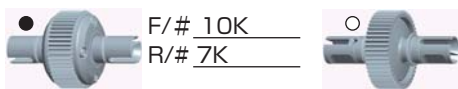
FRONT



REAR

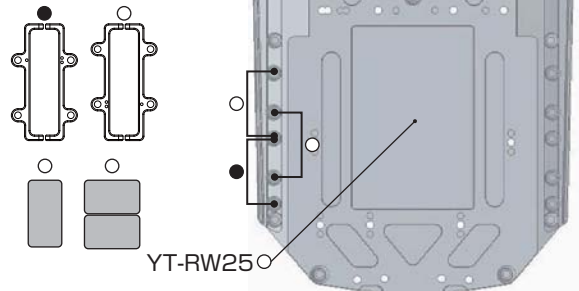


DRIVE



- MOTOR ⇨ Racing Performer 6.0T Bonded Sintered _____ mm
 GEAR ⇨ Spur 87T / Pinion 21T : 2.6
 BATTERY ⇨ Racing Performer Ultra Li-po Shorty
 ESC ● Racing Performer X Series

Battery placement

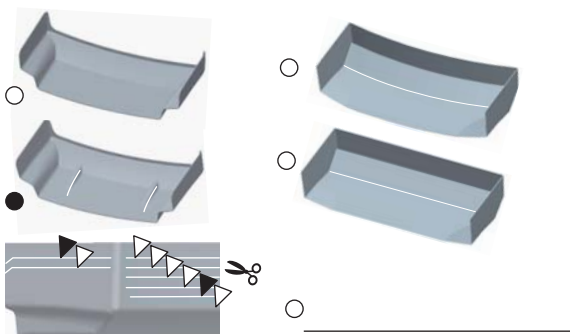


TIRE

- FRONT**
 TIRE ⇨ Pro-Line Prime MC
 INSERTS ⇨ Stock
 WHEELS ⇨ B4-821W

- REAR**
 TIRE ⇨ Pro-Line Prime MC
 INSERTS ⇨ Pro-Line Hard
 WHEELS ⇨ B4-827W

OTHER



COMMENT

- ESC Mounted in the Back by the battery
 Belts set Loose
 Option parts
 Z4-010FL Z4-008F1 Z4-008RL5 Z4-101LW
 Z4-203A Z4-TBS Z4-TSS B4-413A15
 Z2-415R00 Z4-644H Z2-670VP Z2-300RF B
 4-300B Z4-300SRR Z4-300RFS Z4-300RRS
 Z4-304C Z4-304LC Z4-309C Z2-S2SD
 Z2-S2LD Z2-110 YS-8BH