

B-MAX2MR

SETTING SHEET Ver.01

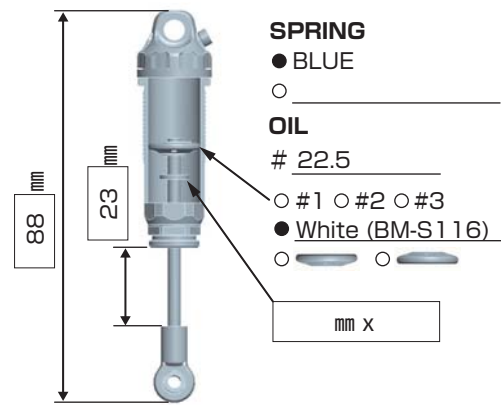
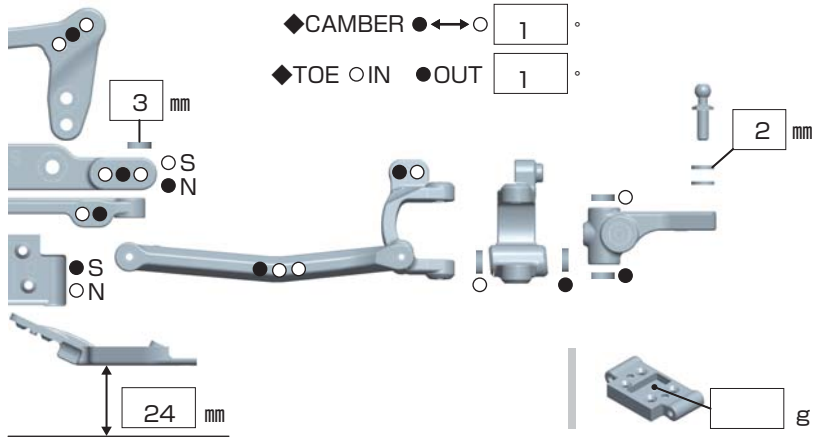
CIRCUIT ヤタベアリーナ・ハッピーニューイヤーレース

- INDOOR ○ OUTDOOR
- WET ● DRY ○ DUSTY ○ OTHER
- LOW TRACTION ● MED TRACTION ○ HIGH TRACTION
- SMOOTH ● BUMPY ○ BLUE GROOVE ○ ASTROTURF

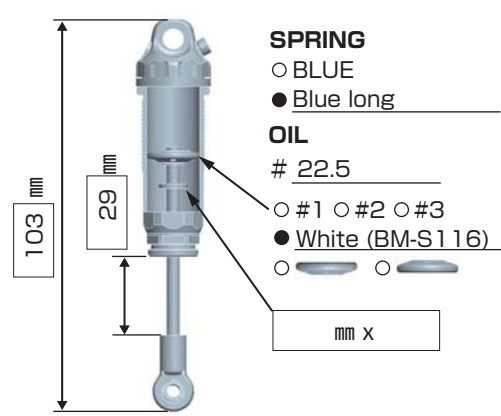
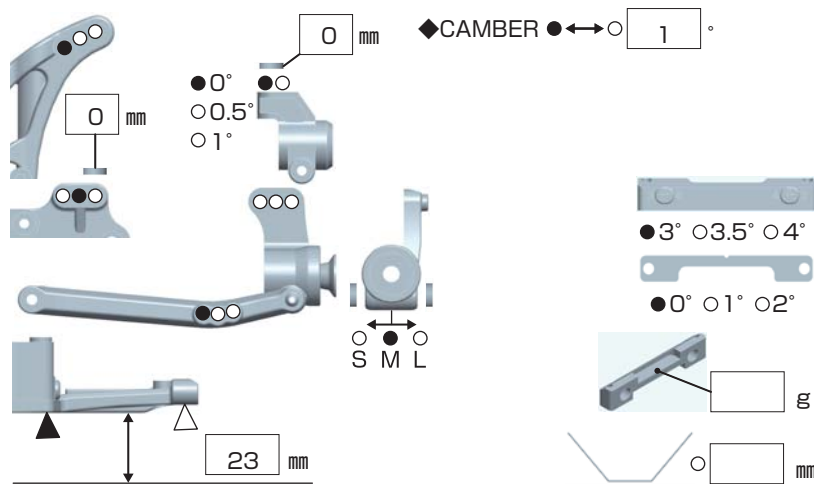
DRIVER 榎本圭介

DATE 2013 / 1 / 3

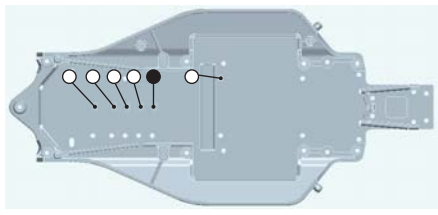
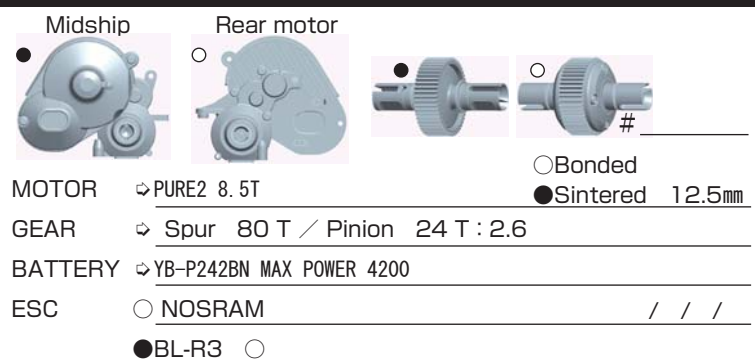
FRONT



REAR



DRIVE



TIRE

FRONT	REAR
TIRE ⇨ T-720C	TIRE ⇨ T-755C
INSERTS ⇨ Pro-Line Closed Cell	INSERTS ⇨ Pro-Line Closed Cell
WHEELS ⇨ B2-821	WHEELS ⇨ B2-827

OTHER

