

# B-MAX2MR

## SETTING SHEET Ver.02

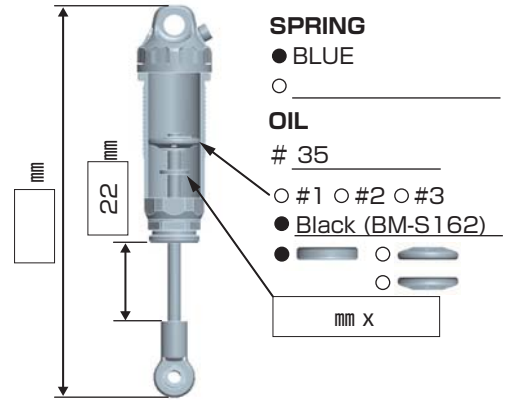
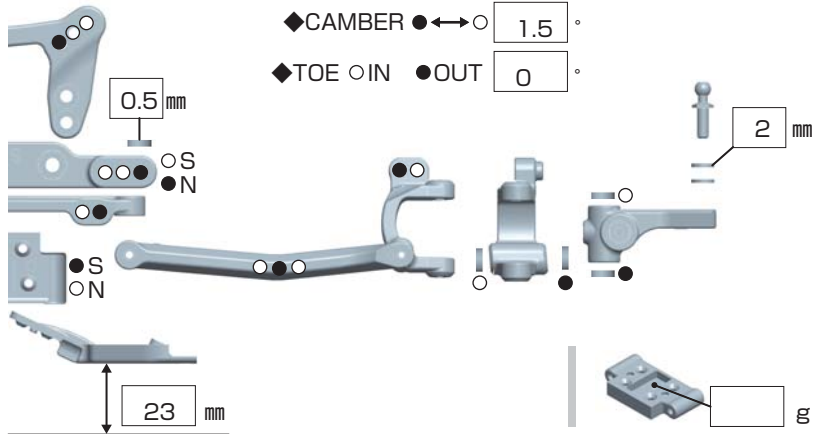
CIRCUIT 2013全日本スタートセットアップ

- INDOOR  OUTDOOR
- WET  DRY  DUSTY  OTHER
- LOW TRACTION  MED TRACTION  HIGH TRACTION
- SMOOTH  BUMPY  BLUE GROOVE  ASTROTURF
- CARPET  WOOD

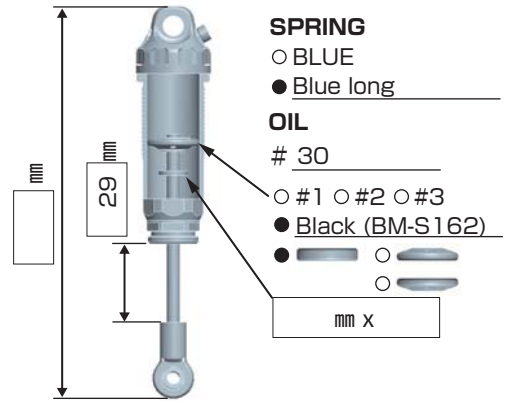
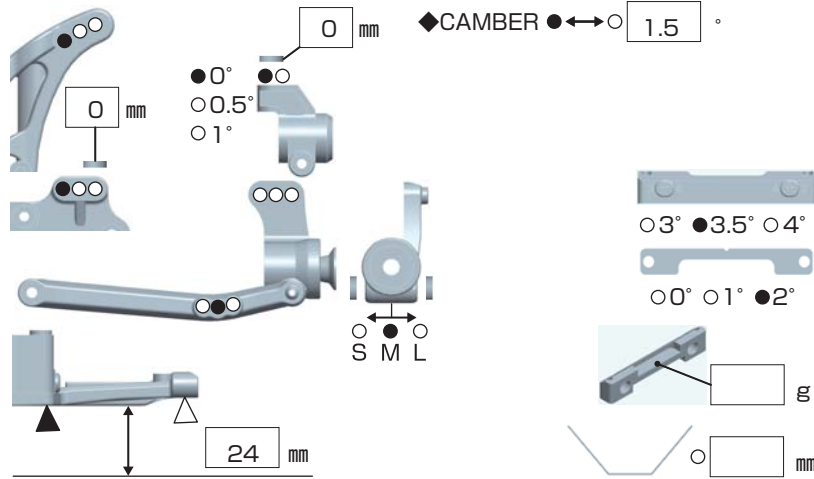
DRIVER

DATE

FRONT



REAR

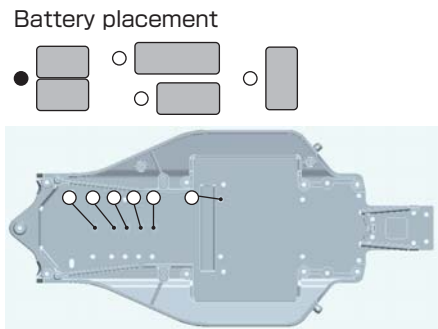


DRIVE

Midship  Rear motor

MOTOR ⇨ "NEW" ZERO Rシリーズ 7.5T  
 GEAR ⇨ Spur 80 T / Pinion 22 T : 2.6  
 BATTERY ⇨ YOKOMO TEAM SPEC Li-po  
 ESC ○ NOSRAM / / /  
 ● BL-R3 ○

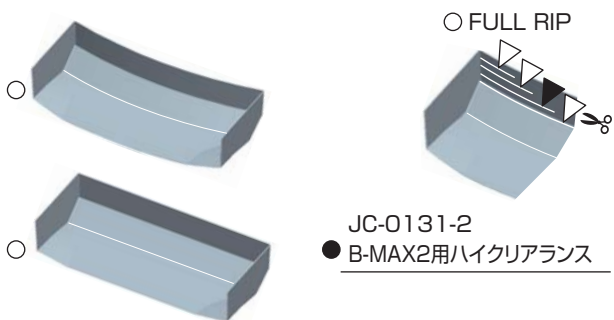
○ Bonded  
 ● Sintered mm



TIRE

FRONT	REAR
TIRE ⇨ T-720C	TIRE ⇨ T-755C
INSERTS ⇨ Pro-Line Closed Cell	INSERTS ⇨ Pro-Line Closed Cell
WHEELS ⇨ B2-821	WHEELS ⇨ B2-827

OTHER



COMMENT