



SETTING SHEET Ver.01

CIRCUIT

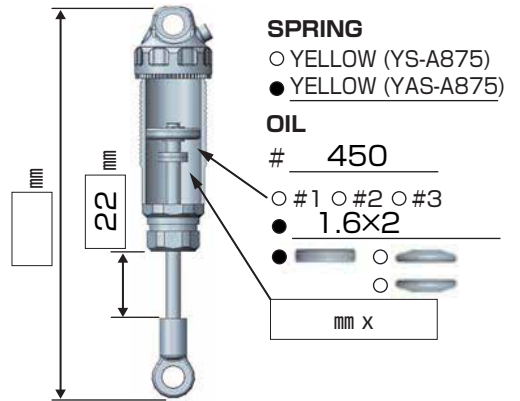
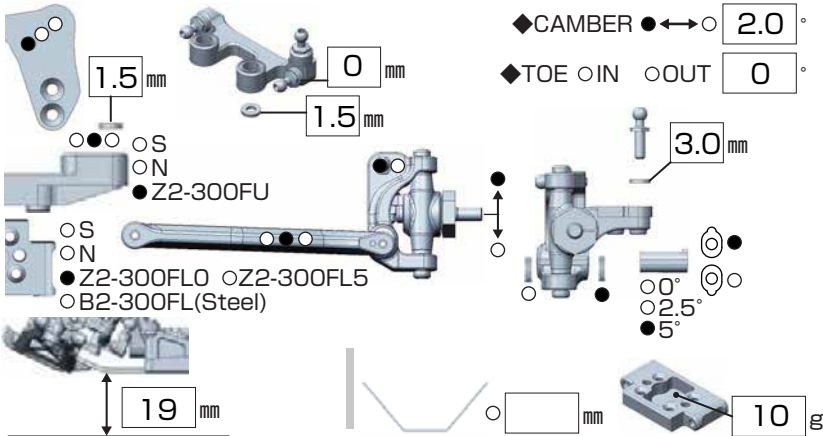
EOS Round-3 Wels

- INDOOR ○ OUTDOOR
- WET ● DRY ○ DUSTY ○ OTHER
- LOW TRACTION ● MED TRACTION ○ HIGH TRACTION
- SMOOTH ● BUMPY ○ BLUE GROOVE ○ ASTROTURF
- CARPET ○ WOOD

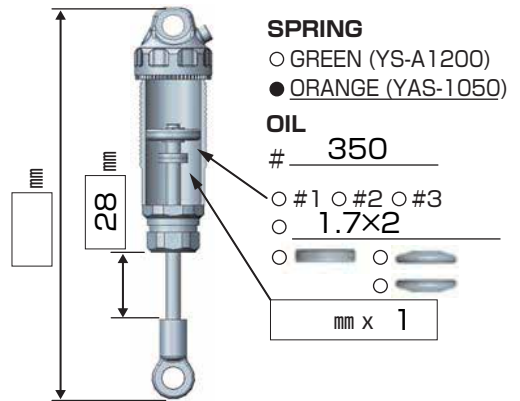
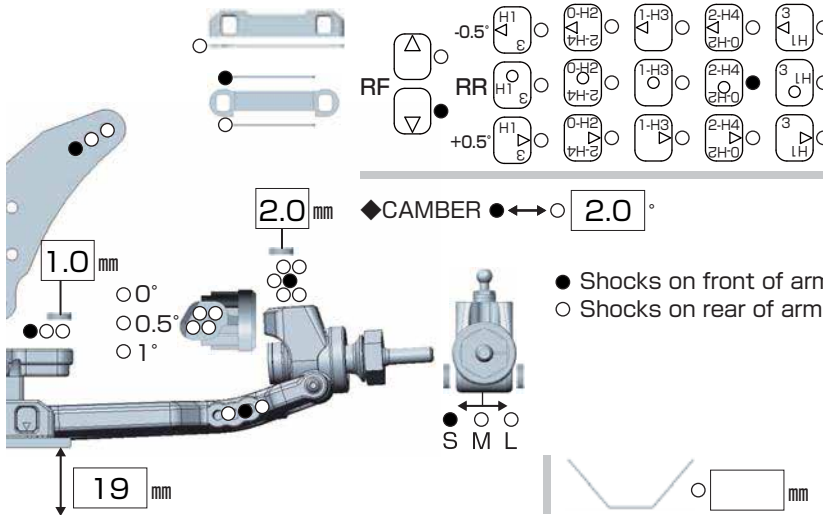
DRIVER Lee Martin

DATE 2015/Mar/28

FRONT



REAR



DRIVE



2000

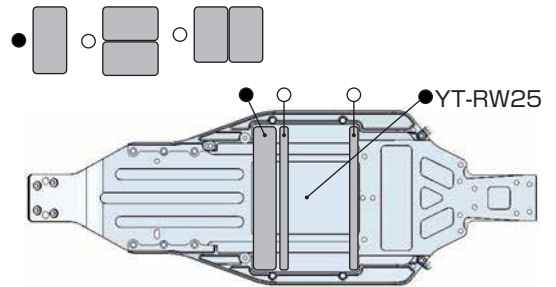
MOTOR ⇨ Muchmore 6.5T ○ Bonded ○ Sintered mm

GEAR ⇨ Spur 80 T / Pinion 22 T : 2.6

BATTERY ⇨ Protek

ESC ○ Racing Performer X Series
 ● Muchmore

Battery placement



TIRE

FRONT TIRE ⇨ Schumacher hand out

FRONT INSERTS ⇨ Hand out

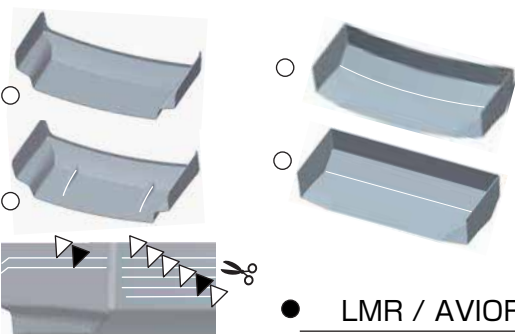
FRONT WHEELS ⇨ Hand out

REAR TIRE ⇨ Schumacher hand out

REAR INSERTS ⇨ Hand out

REAR WHEELS ⇨ Hand out

OTHER



COMMENT

B-MAX4III Rear arm (B4-008R)
 B-MAX2 drive shaft (B2-010R)
 All titanium screw
 All titanium turn buckle
 Use front wing
 25g front of servo
 50g under the battery