

# YZF2

## SETTING SHEET Ver.02

CIRCUIT

EOS Rd3

- INDOOR ○ OUTDOOR
- WET ○ DRY ○ DUSTY ○ OTHER
- LOW TRACTION ○ MED TRACTION ● HIGH TRACTION
- SMOOTH ○ BUMPY ○ BLUE GROOVE ○ ASTROTURF
- CARPET ○ WOOD

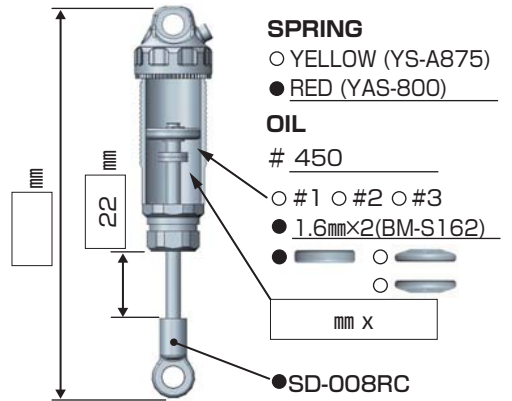
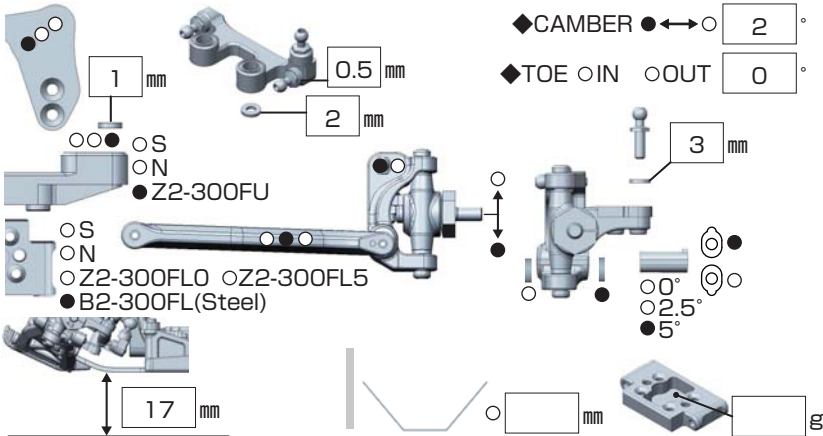
DRIVER

Lee Martin

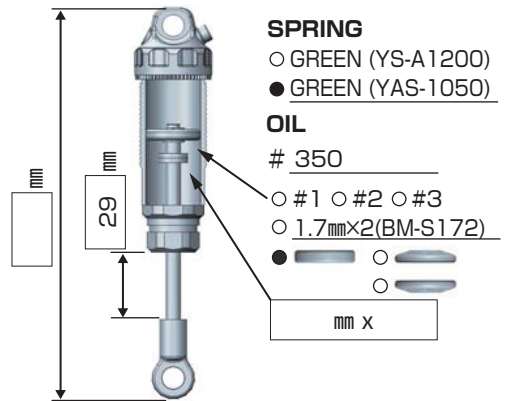
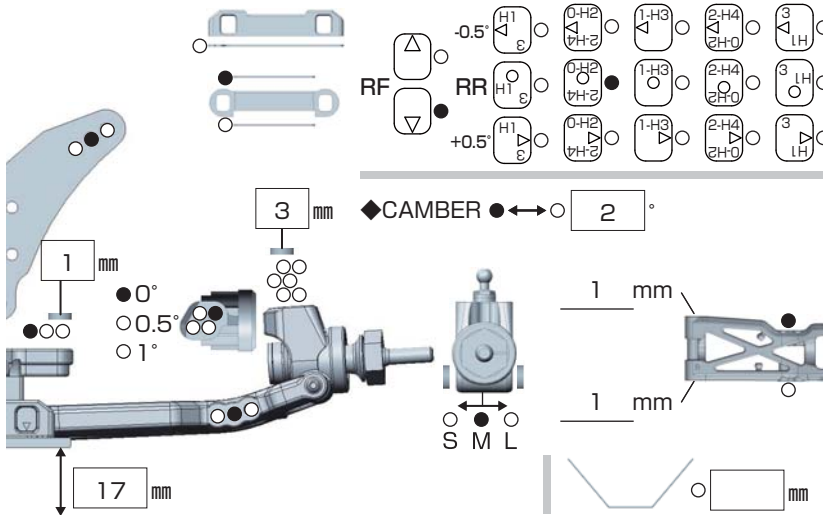
DATE

2016/01/30

FRONT



REAR

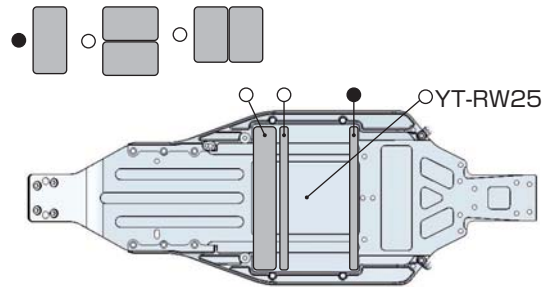


DRIVE



- Bonded  
 ○ Sintered mm
- MOTOR ⇨ RC concept 6.5T
- GEAR ⇨ Spur 80 T / Pinion 22 T : 2.6
- BATTERY ⇨ RC concept shorty
- ESC ○ Racing Performer X Series  
 ● RC concept

Battery placement

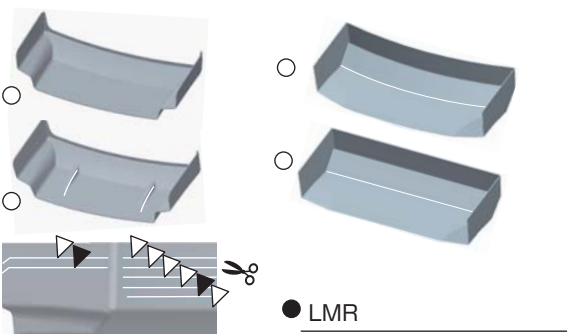


TIRE

- FRONT**  
 TIRE ⇨ Schumacher cut stagger  
 INSERTS ⇨ None  
 WHEELS ⇨ Schumacher

- REAR**  
 TIRE ⇨ Schumacher Mini pin  
 INSERTS ⇨ Schumacher medium  
 WHEELS ⇨ Schumacher

OTHER



COMMENT

- |          |           |          |          |
|----------|-----------|----------|----------|
| B4-008R  | B2-010RB  | Z2-008GF | Z2-415GS |
| Z2-101L  | Z2-415R00 | Z2-S2SD  | Z2-S2LD  |
| Z2-670VP | BM-S162   | BM-S172  | Z2-TSS   |
| Z2-TBS   | YS-8BH    | Z2-110   |          |
- Steering ackerman ball stud use short neck(ZC-206SHS)  
 under the battery wight 100g  
 5.0mm front wheel hex(B4-011R)