

YZ2DT

SETTING SHEET Ver.02

CIRCUIT

EURO 2016

INDOOR OUTDOOR

DIRT ASTROTURF CARPET GLASS WOOD

WET DRY DUSTY SMOOTH BUMPY

HARD PACKED CLAY BIUE GROOVE _____

LOW TRACTION MED TRACTION HIGH TRACTION

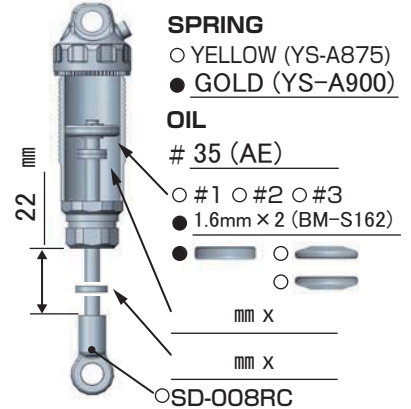
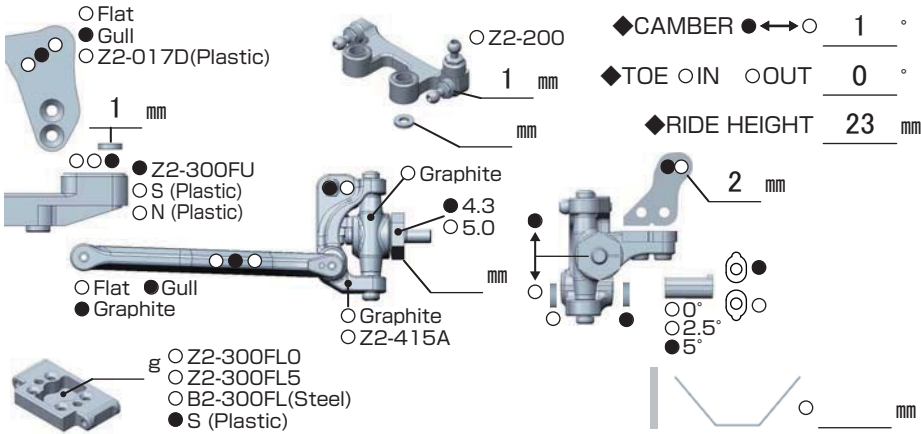
DRIVER

Lee Martin

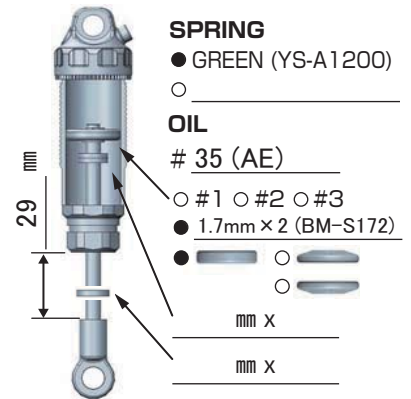
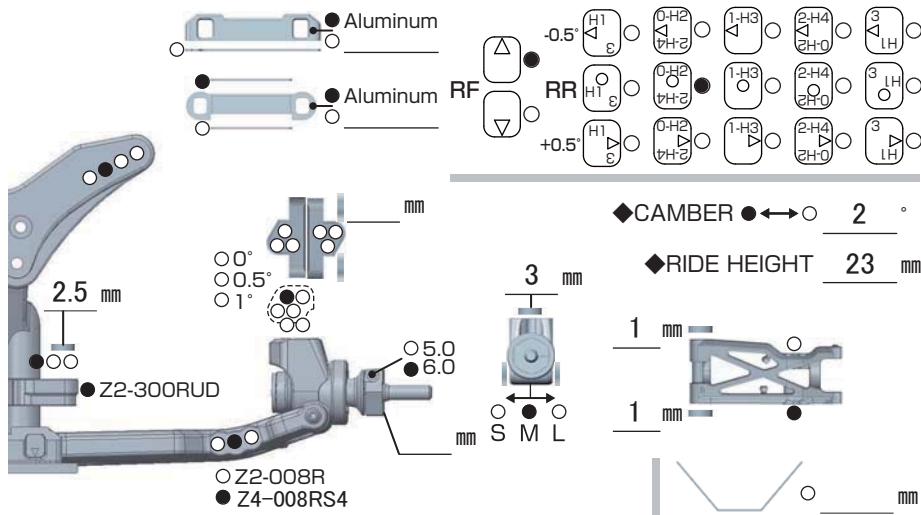
DATE

2016/7/27

FRONT



REAR

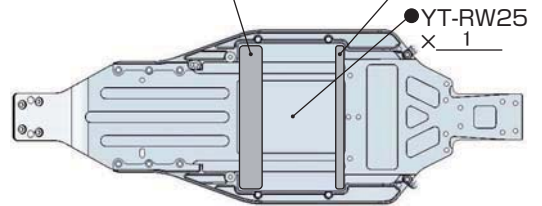
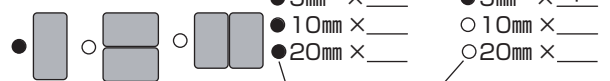


DRIVE



MOTOR \rightarrow RC concept 7.5T Rotor _____ mm
 GEAR \rightarrow Spur 80 T / Pinion 22 T : 2.6
 BATTERY \rightarrow RC concept
 ESC YOKOMO RPX YOKOMO BL-PRO
 RC concept

Battery placement

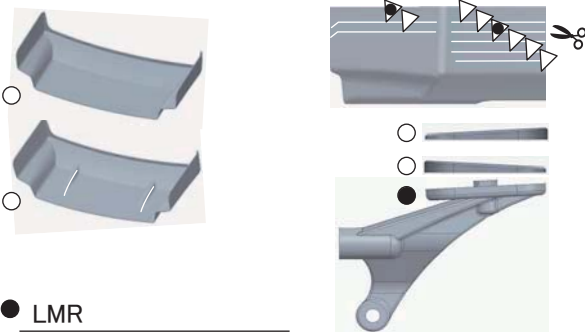


TIRE

FRONT
 TIRE \rightarrow PL 8175 M3
 INSERTS \rightarrow Std
 WHEELS \rightarrow YOKOMO B2-821HW

REAR
 TIRE \rightarrow PL Hole shot M3
 INSERTS \rightarrow Std
 WHEELS \rightarrow YOKOMO B4-827W

OTHER



COMMENT

Z2-TSSD
 Z2-TBSD
 Prototype front wing small on shock tower