

YZ-4

SETTING SHEET Ver.01

CIRCUIT

Cactus classic @ SRS Raceway

- INDOOR ○ OUTDOOR
- WET ○ DRY ○ DUSTY ○ OTHER
- LOW TRACTION ○ MED TRACTION ● HIGH TRACTION
- SMOOTH ○ BUMPY ○ BLUE GROOVE ○ ASTROTURF
- CARPET ○ WOOD ● CLAY

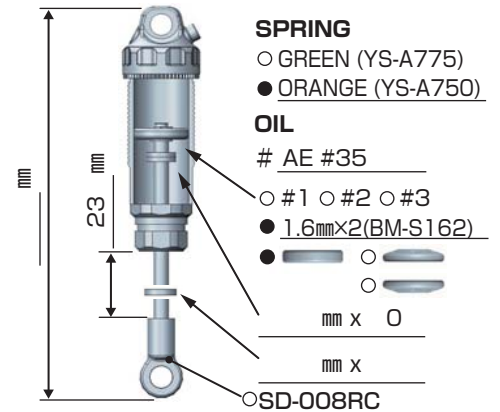
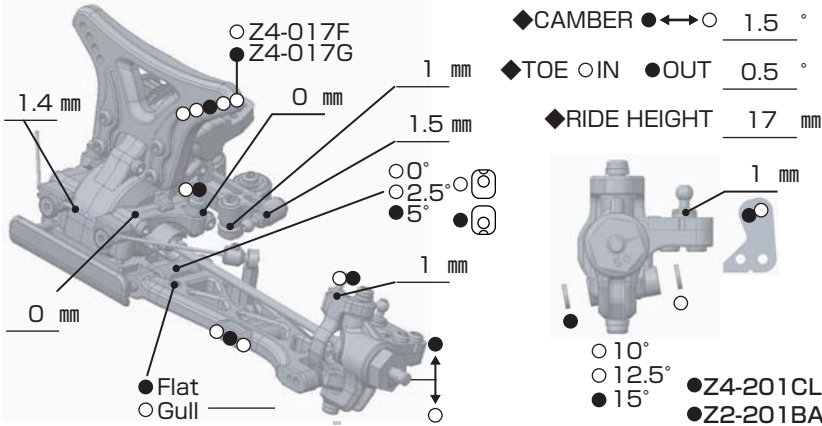
DRIVER

Lee Martin

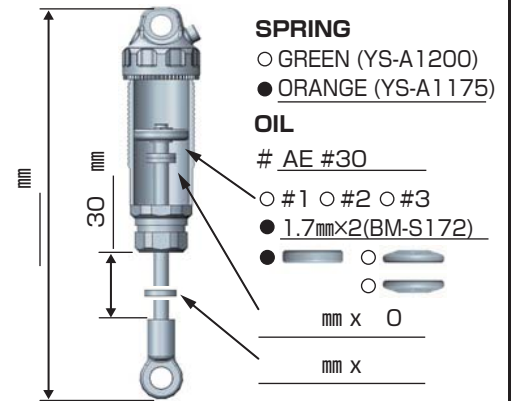
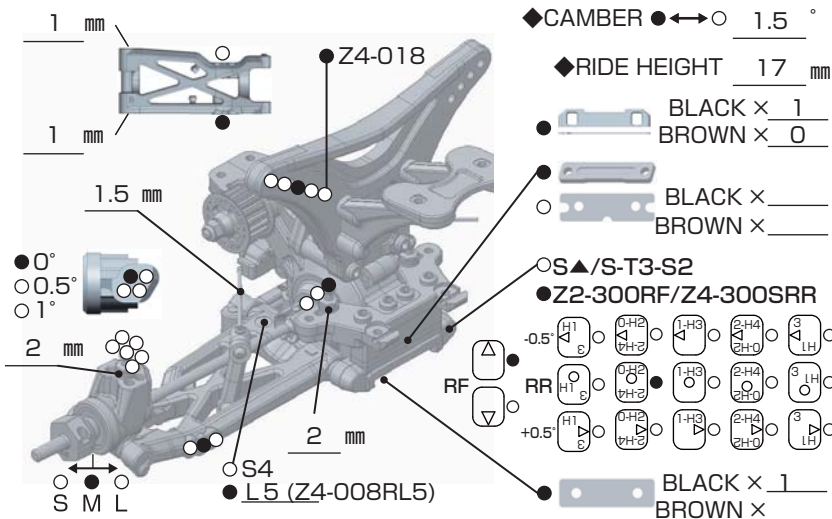
DATE

2016/03/13

FRONT



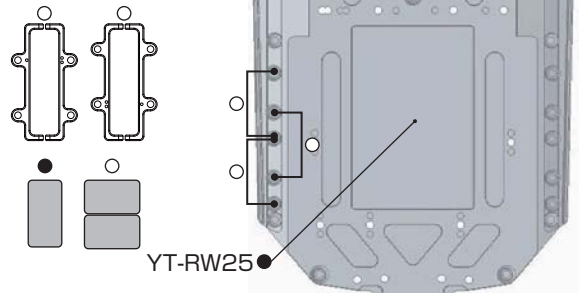
REAR



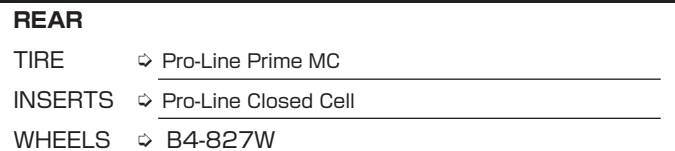
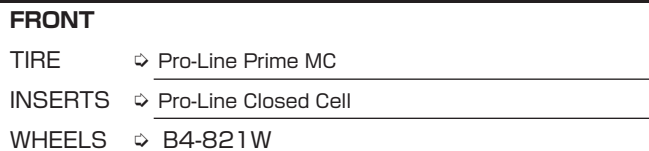
DRIVE



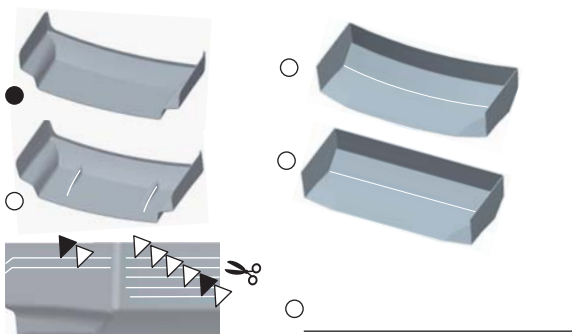
Battery placement



TIRE



OTHER



COMMENT

- Option parts
- | | | | |
|--------------|-----------|----------|-----------|
| Z4-010FL | Z4-008RL5 | Z4-101LW | Z4-203A |
| Z4-TBS | Z4-TSS | Z4-412 | B4-413A15 |
| Z2-415ROO | Z4-644H | Z2-670VP | Z2-300RF |
| B4-300B | Z4-300SRR | Z4-304C | Z4-304LC |
| Z4-309C | Z2-S2SD | Z2-S2LD | Z2-110 |
| YS-8BH | | | |
| LMR Top deck | | | |