



# SETTING SHEET Ver.02

CIRCUIT

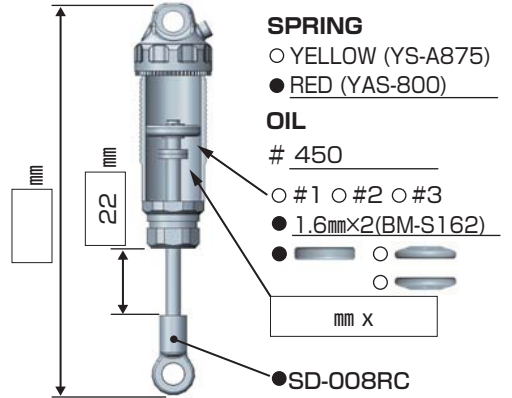
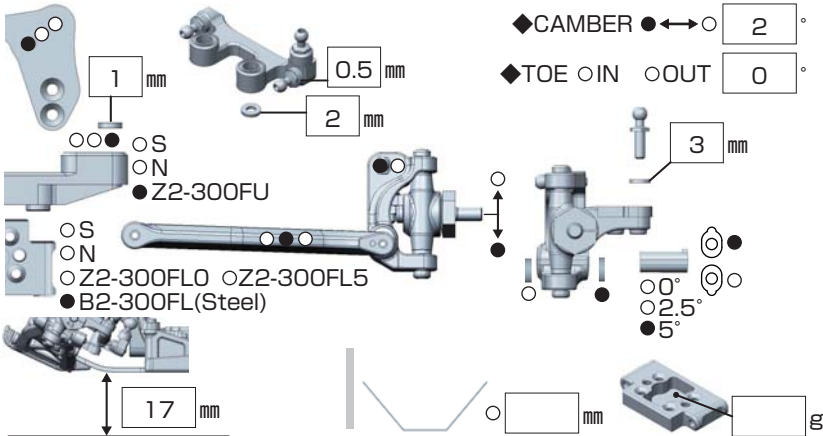
EOS Rd3

- INDOOR ○ OUTDOOR
- WET ○ DRY ○ DUSTY ○ OTHER
- LOW TRACTION ○ MED TRACTION ● HIGH TRACTION
- SMOOTH ○ BUMPY ○ BLUE GROOVE ○ ASTROTURF
- CARPET ○ WOOD

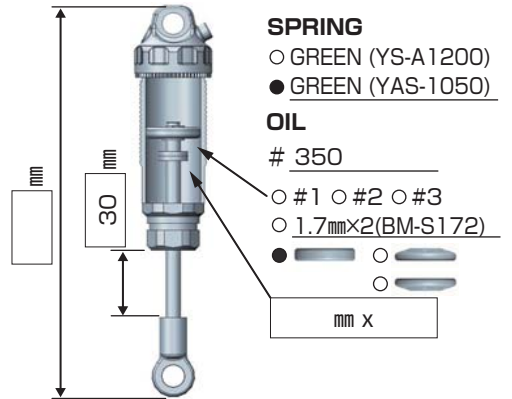
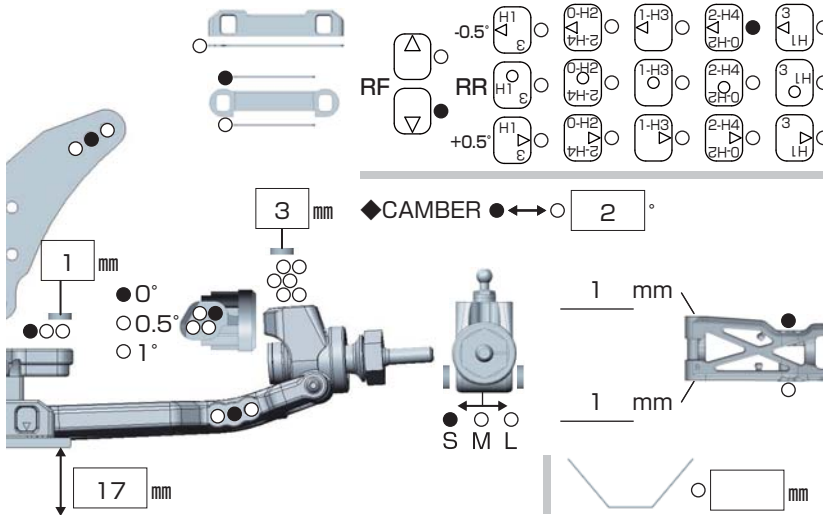
DRIVER Mark Rheinard

DATE 2016/01/30

FRONT



REAR

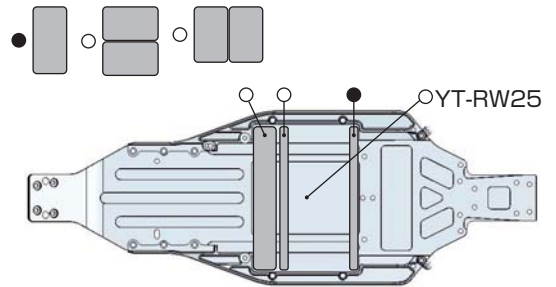


DRIVE



- MOTOR ⇨ Much more 6.5T ○ Bonded
- GEAR ⇨ Spur 80 T / Pinion 22 T : 2.6 ○ Sintered mm
- BATTERY ⇨ Much more shorty
- ESC ○ Racing Performer X Series
- Much more

Battery placement

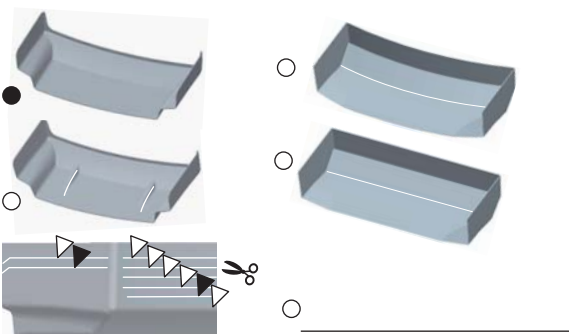


TIRE

- FRONT**
- TIRE ⇨ Schumacher cut stagger
  - INSERTS ⇨ None
  - WHEELS ⇨ Schumacher

- REAR**
- TIRE ⇨ Schumacher Mini pin
  - INSERTS ⇨ Schumacher medium
  - WHEELS ⇨ Schumacher

OTHER



COMMENT

- |          |          |           |         |
|----------|----------|-----------|---------|
| B4-008R  | B2-010RB | Z2-008GF  | Z2-413A |
| Z2-415GS | Z2-101L  | Z2-415R00 | Z2-S2SD |
| Z2-S2LD  | Z2-670VP | BM-S162   | BM-S172 |
| Z2-TSS   | Z2-TBS   | YS-8BH    | Z2-110  |
- Steering ackerman ball stud use short neck(ZC-206SHS)  
under the battery wight 100g  
5.0mm front wheel hex(B4-011R)