

B-MAX2MR

SETTING SHEET Ver.01

CIRCUIT

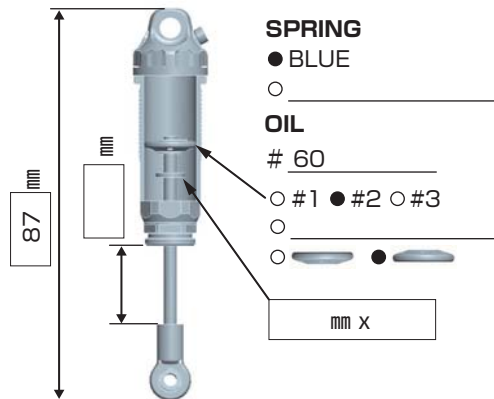
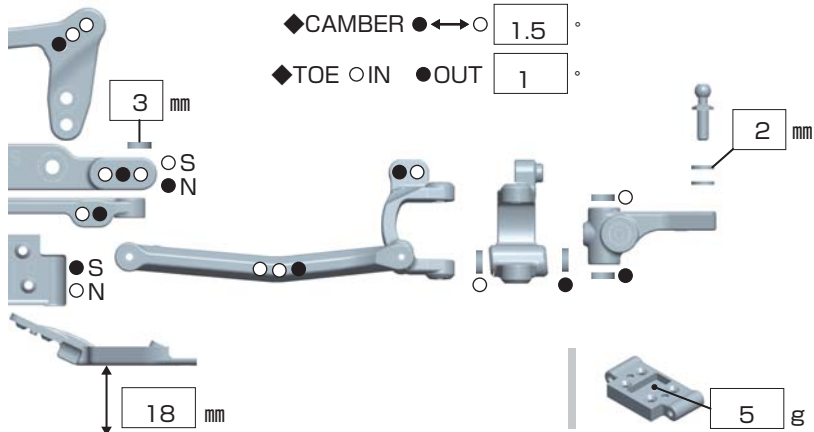
EOS Rd.2 Langenfeld, DE

- INDOOR OUTDOOR Carpet + Wood
- WET DRY DUSTY OTHER
- LOW TRACTION MED TRACTION HIGH TRACTION
- SMOOTH BUMPY BLUE GROOVE ASTROTURF

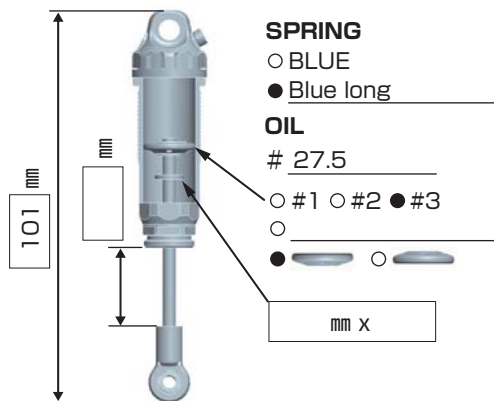
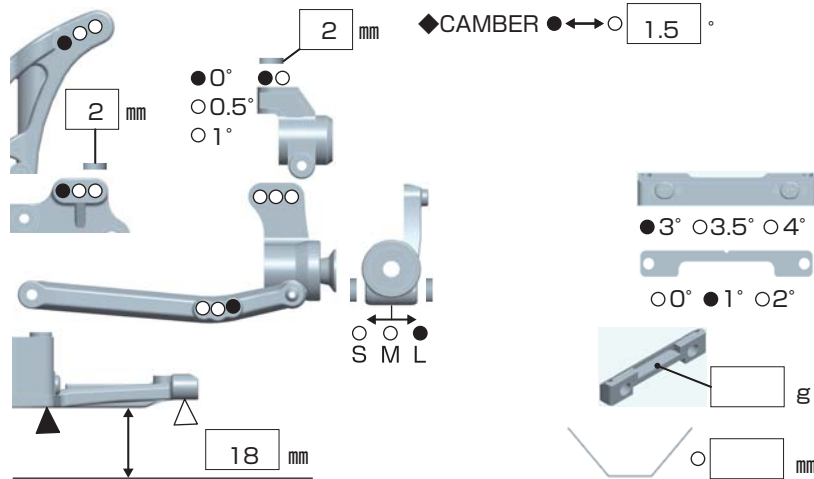
DRIVER N.Matsukura

DATE 2013 / 1 / 5

FRONT



REAR



DRIVE

Midship Rear motor

MOTOR ⇨ PURE2 7.5T Bonded Sintered 12.5mm

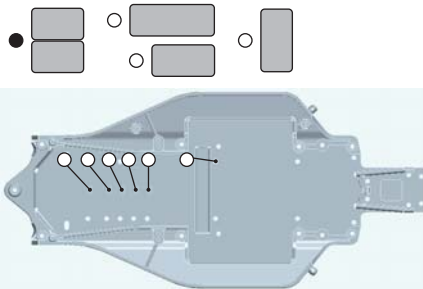
GEAR ⇨ Spur 80 T / Pinion 23 T : 2.6

BATTERY ⇨ YOKOMO TEAM SPEC Li-po 5200mAh

ESC NOSRAM COMET / / /

BL-R3 _____

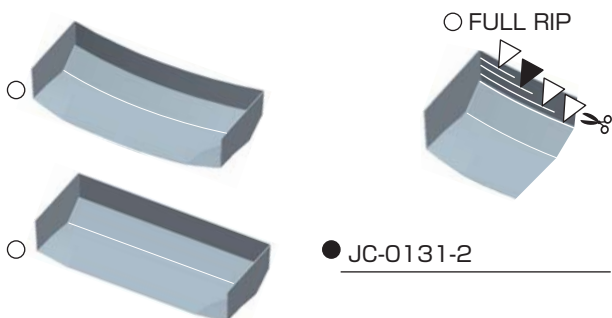
Battery placement



TIRE

FRONT	REAR
TIRE ⇨ dBoots Nanobyte A	TIRE ⇨ dBoots Nanobyte A
INSERTS ⇨ dBoots Hard	INSERTS ⇨ dBoots Hard
WHEELS ⇨ AS-7463Y or B2-821	WHEELS ⇨ AS-7464Y or B2-827

OTHER



COMMENT

B2-500GS Gear diff
 B2-010FI Front axle (3/16 in. size)
 +50g in front chassis.
 +70g weight plate under battery.
 Illuzion - 6.5" Hi-Clearance wing (B-MAX2)