

B-MAX2MR

SETTING SHEET Ver.05

CIRCUIT

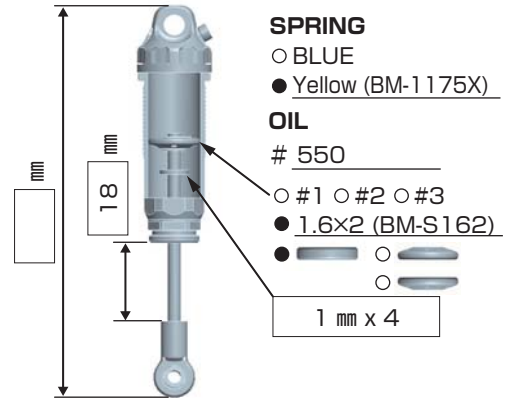
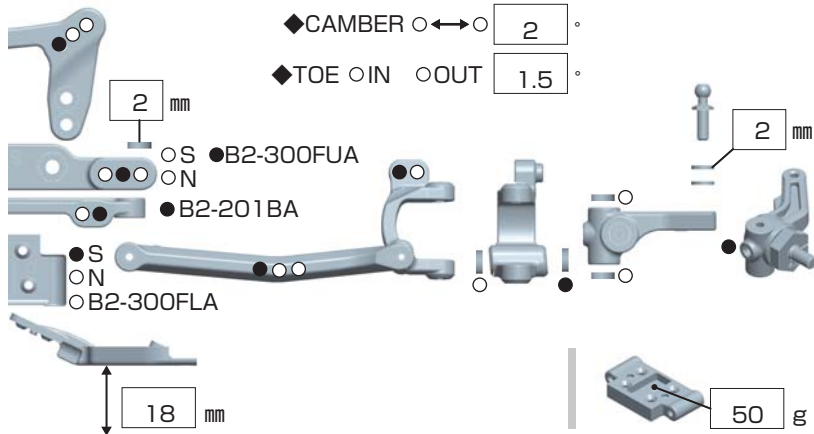
EOS Rd.4 Wels, Austria

- INDOOR ○ OUTDOOR
- WET ○ DRY ○ DUSTY ● OTHER
- LOW TRACTION ● MED TRACTION ○ HIGH TRACTION
- SMOOTH ○ BUMPY ○ BLUE GROOVE ○ ASTROTURF
- CARPET ○ WOOD

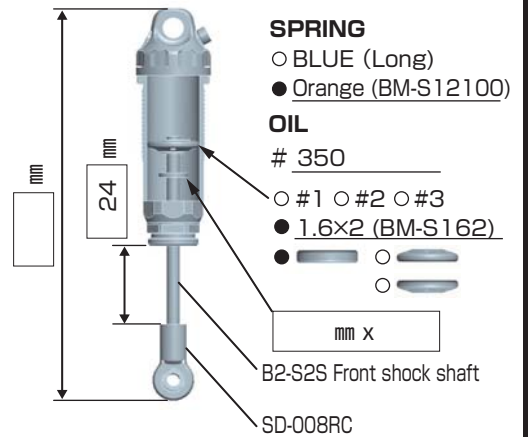
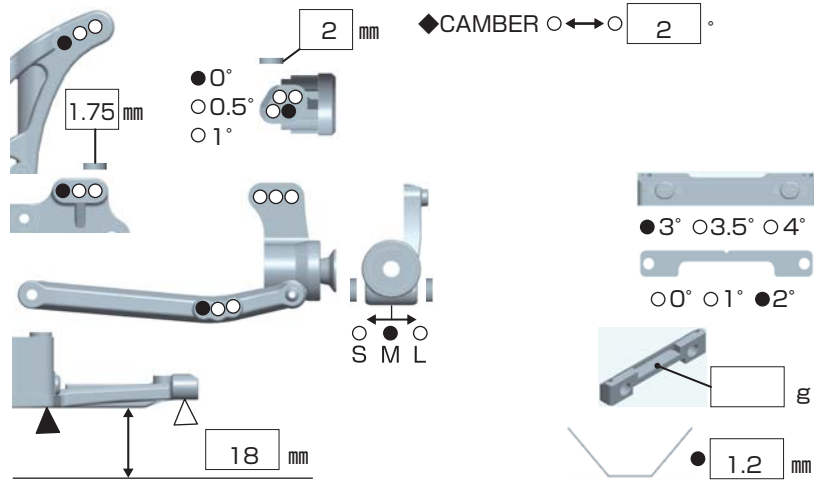
DRIVER N.Matsukura

DATE 2014/04/27

FRONT



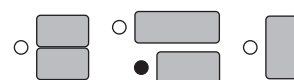
REAR



DRIVE

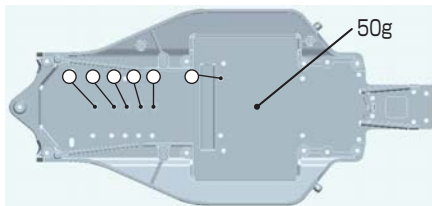


Battery placement



Main chassis

- B2-002MR : Mold
- B2-002MRA : Aluminum
- B2-002MW : Al 1piece



TIRE

FRONT

TIRE ⇨ PL

INSERTS ⇨ None

WHEELS ⇨ B2-821HY

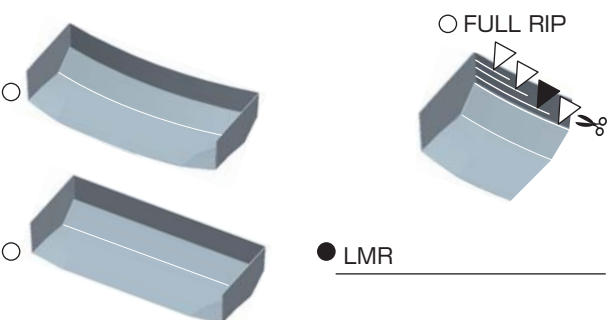
REAR

TIRE ⇨ PL

INSERTS ⇨ PL

WHEELS ⇨ B4-827

OTHER



COMMENT

- B2-1 18MA Graphite battery plate
- B2-TBS Titanium turnbuckle set
- B4-4 15R00 Aluminum rear hub career 0°
- B2-HCOV Hex wheel hub conversion
- B4-0 1 1R Rear hex wheel hub
- B2-S40 Shock bottom cap (with stepped collar)
- B2-10 1MRL Lightweight body