

B-MAX2MR

SETTING SHEET Ver.05

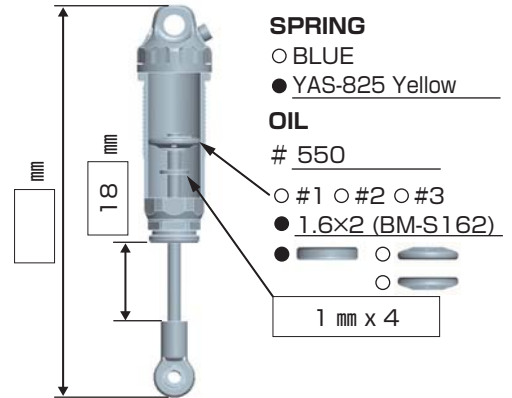
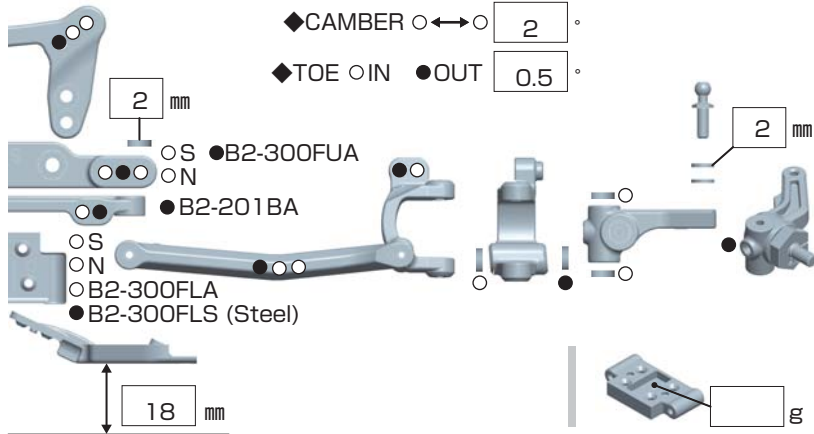
CIRCUIT Indoorground RC Masters

- INDOOR ○ OUTDOOR
- WET ○ DRY ○ DUSTY ● OTHER
- LOW TRACTION ● MED TRACTION ○ HIGH TRACTION
- SMOOTH ○ BUMPY ○ BIUE GROOVE ○ ASTROTURF
- CARPET ○ WOOD

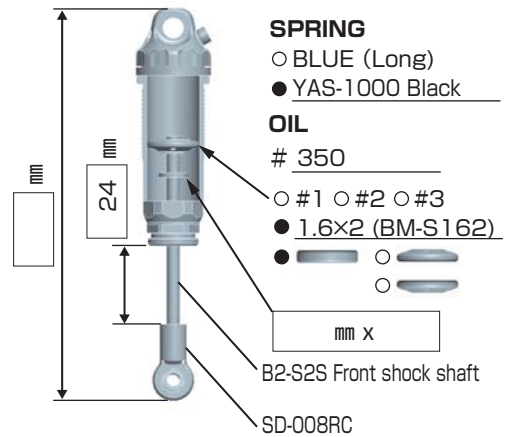
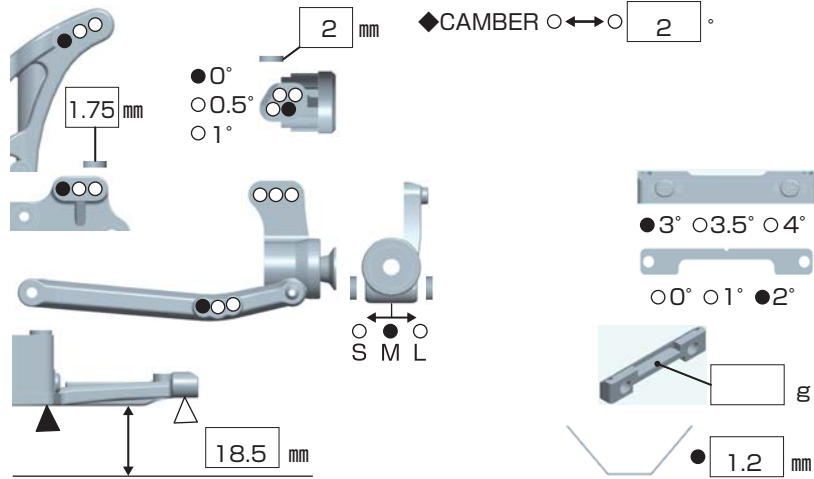
DRIVER N.Matsukura

DATE 2014/06/21

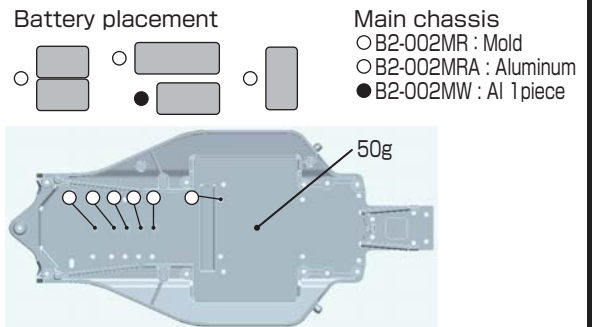
FRONT



REAR



DRIVE

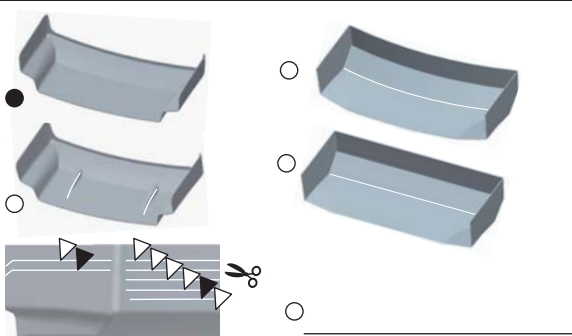


TIRE

FRONT
 TIRE ⇨ Cut stagger low profile Yellow
 INSERTS ⇨ --
 WHEELS ⇨ B2-821HY

REAR
 TIRE ⇨ Mini pin
 INSERTS ⇨ Blue
 WHEELS ⇨ B4-827

OTHER



COMMENT

- B2-118MA Graphite battery plate
- B2-TBS Titanium turnbuckle set
- B4-415R00 Aluminum rear hub career 0°
- B2-HCOV Hex wheel hub conversion
- B4-011R Rear hex wheel hub
- B2-S40 Shock bottom cap (with stepped collar)
- B2-101MRL Lightweight body
- B2-008RM Rear suspension arm (Medium)
- B2-303IG Graphite idler shaft
- B2-303TA Aluminum top shaft
- B2-304LW Lightweight motor plate
- B2-300FLS Steel Front suspension mount