

# B-MAX4 II

SETTING SHEET Ver.01

CIRCUIT

EOS Rd.2 Langenfeld, DE

- INDOOR ○ OUTDOOR ● Carpet + Wood
- WET ● DRY ○ DUSTY ○ OTHER
- LOW TRACTION ○ MED TRACTION ● HIGH TRACTION
- SMOOTH ○ BUMPY ○ BLUE GROOVE ○ ASTROTURF

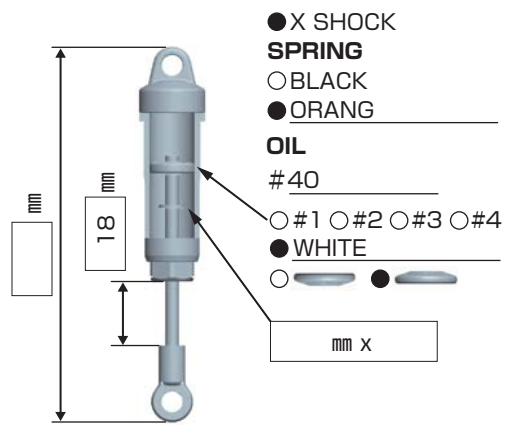
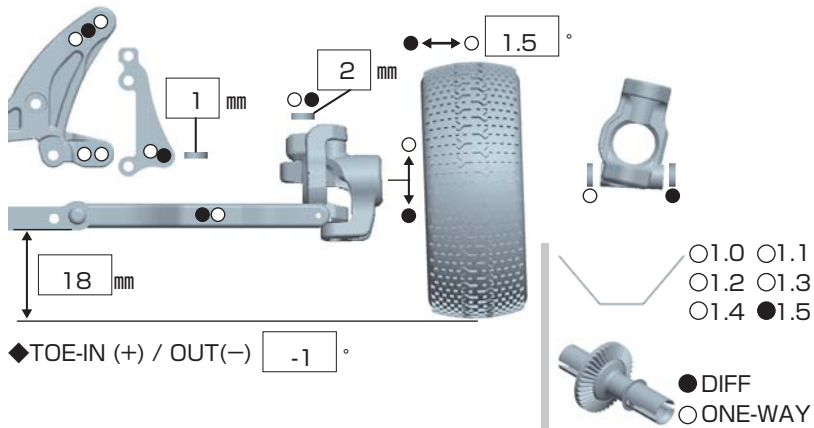
DRIVER

N.Matsukura

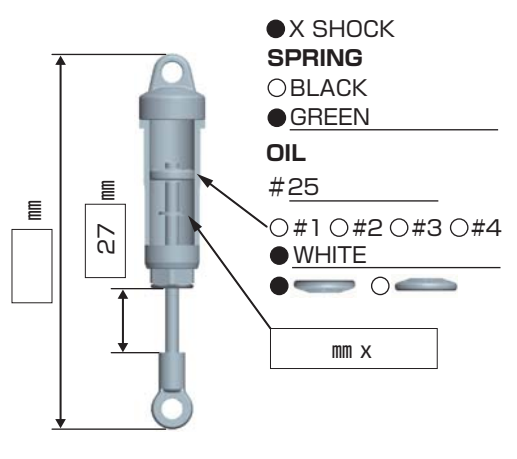
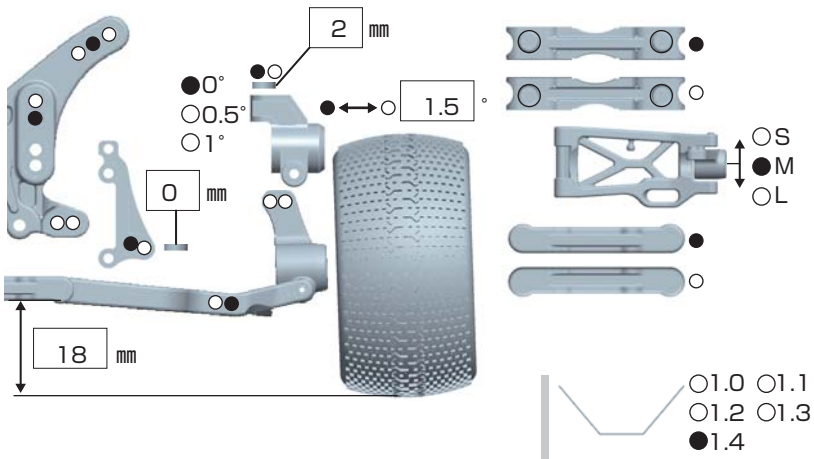
DATE

2013 / 1 / 5

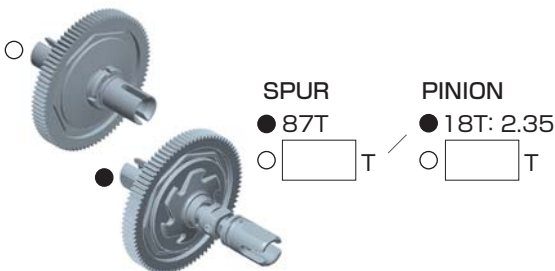
FRONT



REAR



DRIVE



- MOTOR ⇨ NOSRAM PURE2 6.5 ○ Bonded
- BRUSHES ⇨ \_\_\_\_\_ ● Sintered 12.5 mm
- BATTERY ⇨ YOKOMO TEAM SPEC Li-po 5900mAh (YB-P259BF)
- ESC ○ NOSRAM \_\_\_\_\_ / / /
- YOKOMO BL-R3 \_\_\_\_\_

TIRE

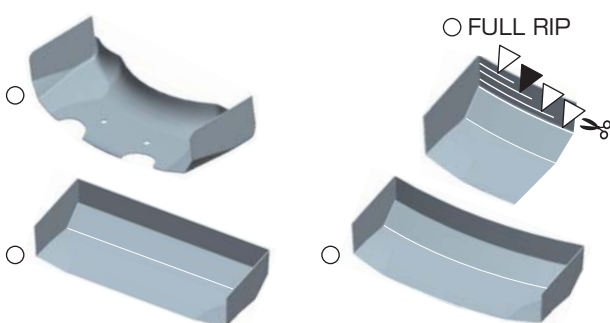
FRONT

- TIRE ⇨ dBoots Nanobyte A \_\_\_\_\_
- INSERTS ⇨ dBoots Hard \_\_\_\_\_
- WHEELS ⇨ AS-9768 or BM-821 \_\_\_\_\_

REAR

- TIRE ⇨ dBoots Nanobyte A \_\_\_\_\_
- INSERTS ⇨ dBoots Hard \_\_\_\_\_
- WHEELS ⇨ AS-7464Y or B2-827 \_\_\_\_\_

OTHER



COMMENT

BM-002LH Main chassis (Hard type)  
 BM-003H Upper deck (Hard type)  
 BM-10142W Light weight body  
 BM-BBDT Drive train tuning bearing set  
 JC-0131-2 Illuzion - 6.5" Hi-Clearance wing (B-MAX2)