

MR-4 BX W

SETTING SHEET Ver.01

CIRCUIT

YATABE ARENA

- INDOOR ○ OUTDOOR
- WET ○ DRY ○ DUSTY ○ OTHER
- LOW TRACTION ● MED TRACTION ○ HIGH TRACTION
- SMOOTH ○ BUMPY ○ SANDY ○ GRASS ○ BIUE GROOVE

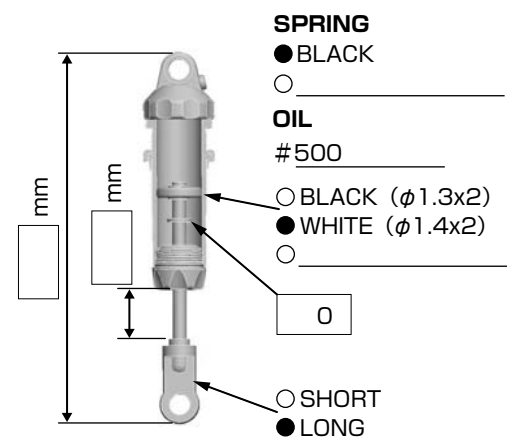
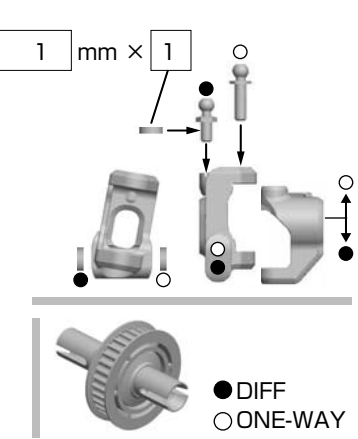
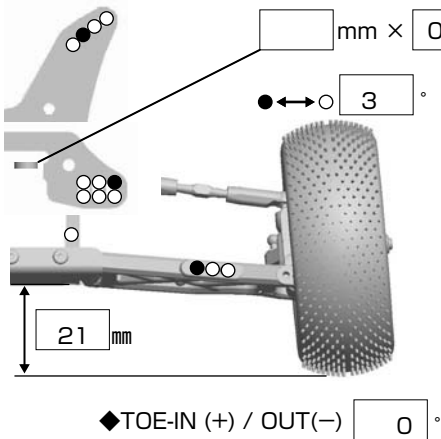
DRIVER

NAOTO

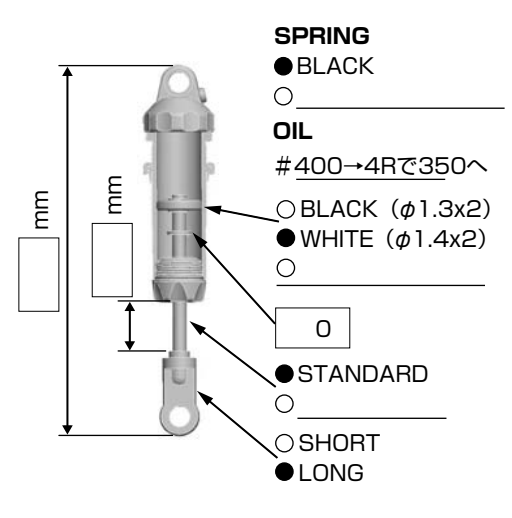
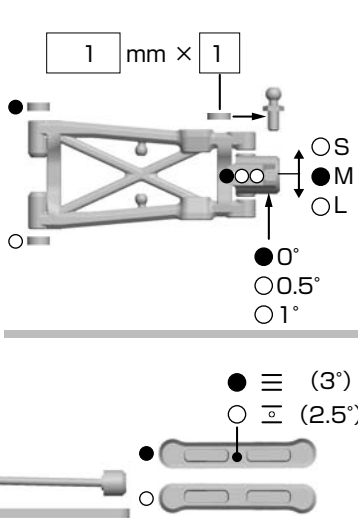
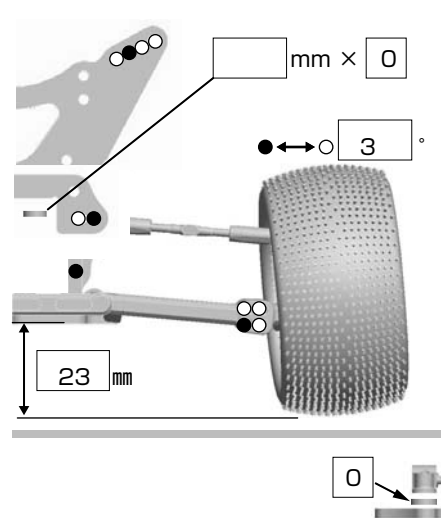
DATE

08/03/10

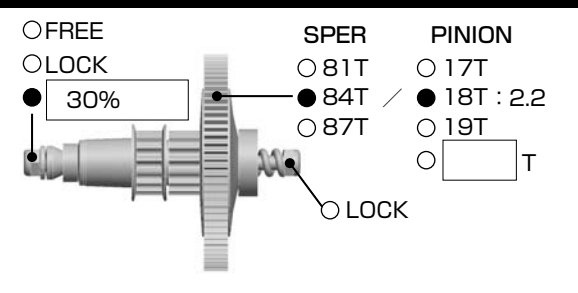
FRONT



REAR



DRIVE



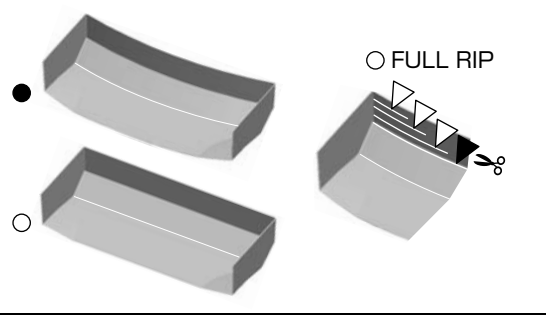
- MOTOR ⇨ YOKOMO WORLD MAX 9T
- BRUSHES ⇨ YM-MSB
- BATTERY ⇨ FLASH IB4600
- ESC ○ GM SX12W ● VFS-1 Comp

TIRE

- FRONT**
- TIRE ⇨ Panther T-725C
 - INSERTS ⇨
 - WHEELS ⇨ B44 FRONT

- REAR**
- TIRE ⇨ Panther T-755C
 - INSERTS ⇨
 - WHEELS ⇨ PROLINE

OTHER



- COMMENT
- ・ ST ブロックボール部 2mm 上げ
 - ・ リヤスタビφ1.2
 - ・ リヤダストカバー