

YZF DT SETTING SHEET Ver.01

CIRCUIT

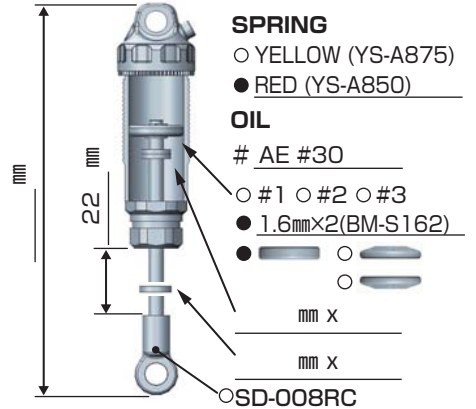
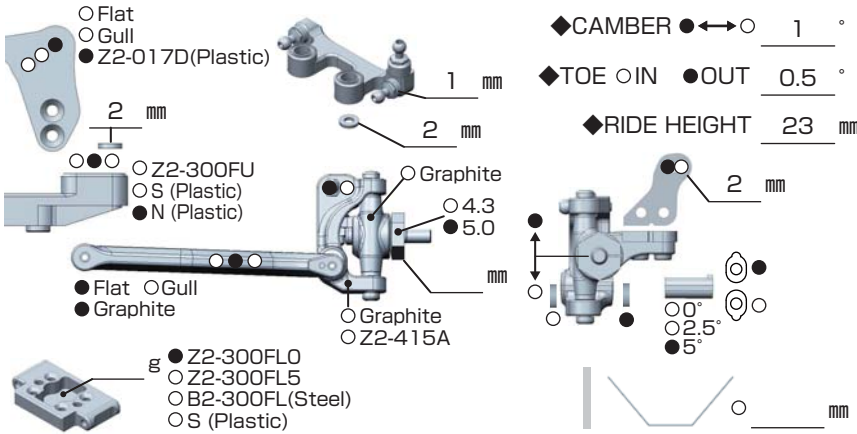
RCManiax ARENA

- INDOOR ○ OUTDOOR
- WET ○ DRY ○ DUSTY ○ OTHER
- LOW TRACTION ○ MED TRACTION ○ HIGH TRACTION
- SMOOTH ○ BUMPY ○ BLUE GROOVE ○ ASTROTURF
- CARPET ○ WOOD

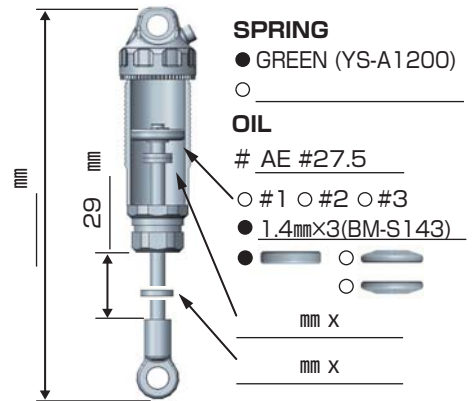
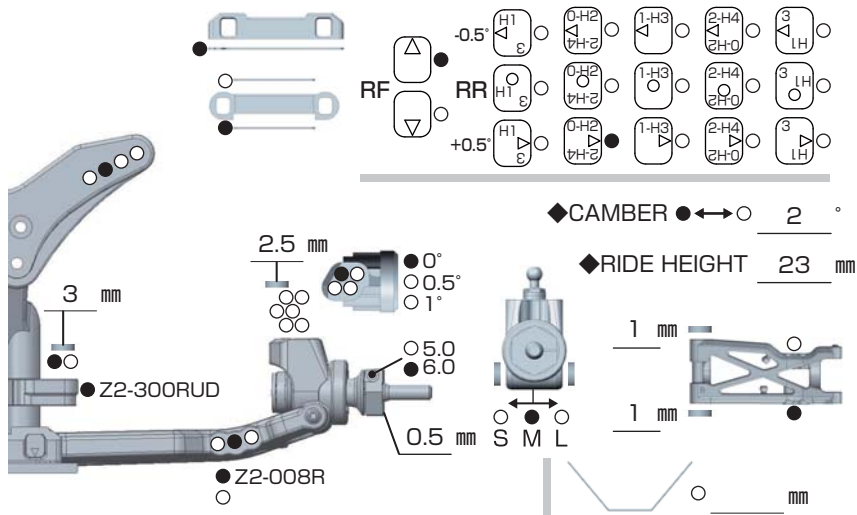
DRIVER Team setup

DATE 2016/03/27

FRONT



REAR



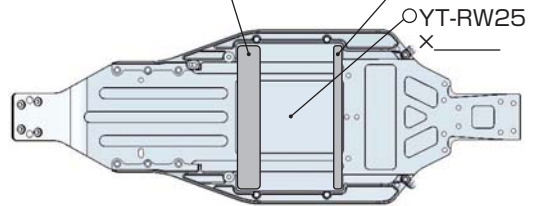
DRIVE



- MOTOR ⇨ Racing Performer M2 7.5T Rotor mm
- GEAR ⇨ Spur 80 T / Pinion 22 T : 2.6
- BATTERY ⇨ Racing Performer Ultra Li-po 7.4V 5000mAh (Shorty)
- ESC ● Racing Performer X Series

Battery placement

- 5mm ×
- 10mm × 2
- 20mm × 1
- 5mm × 1
- 10mm ×
- 20mm ×

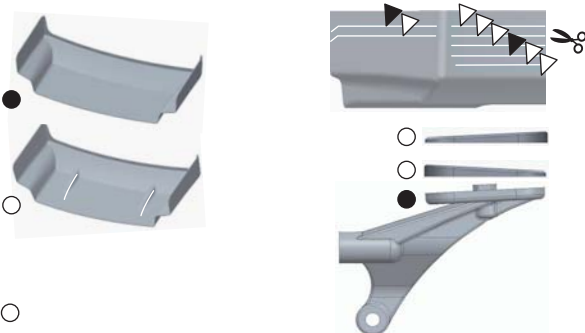


TIRE

- FRONT**
- TIRE ⇨ Panther
- INSERTS ⇨ BM-T16
- WHEELS ⇨ B2-821HY

- REAR**
- TIRE ⇨ Panther
- INSERTS ⇨ BM-T16
- WHEELS ⇨ B-827

OTHER



COMMENT

- Z2-TSSD Z2-TBSD Z2-S2SD Z2-S2LD Z2-670VP
- B2-S821A
- PLフロントウイング使用
- モーターとギヤボックスの間に10g