

# YZ2DT

## SETTING SHEET Ver.02

CIRCUIT

EURO 2016

INDOOR  OUTDOOR

DIRT  ASTROTURF  CARPET  GLASS  WOOD

WET  DRY  DUSTY  SMOOTH  BUMPY

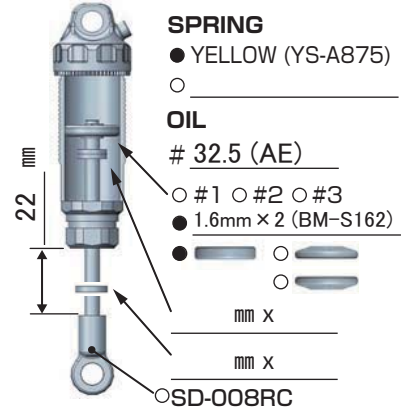
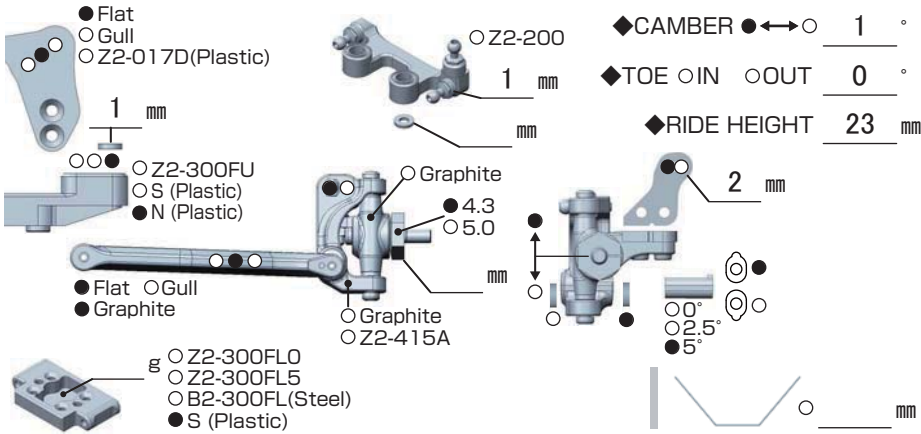
HARD PACKED  CLAY  BIUE GROOVE  \_\_\_\_\_

LOW TRACTION  MED TRACTION  HIGH TRACTION

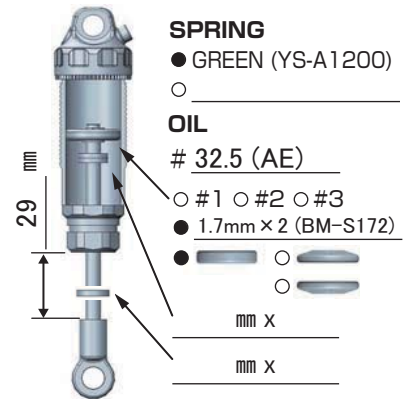
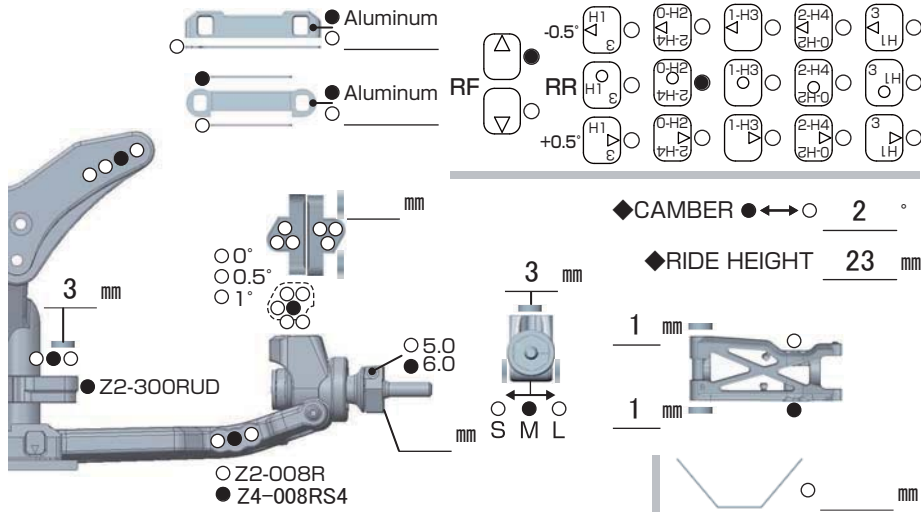
DRIVER Tom Cockerill

DATE 2016/7/27

FRONT



REAR

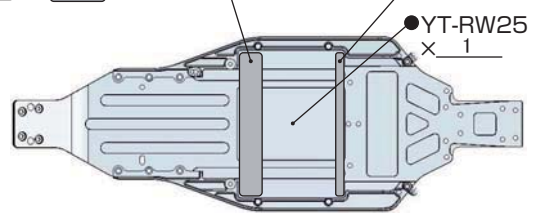
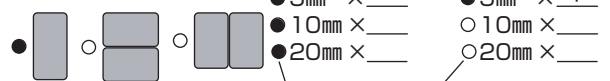


DRIVE



MOTOR  $\rightarrow$  RC concept 7.5T Rotor          mm  
 GEAR  $\rightarrow$  Spur 80 T / Pinion 22 T : 2.6  
 BATTERY  $\rightarrow$  RC concept  
 ESC  YOKOMO RPX  YOKOMO BL-PRO  
 RC concept

Battery placement

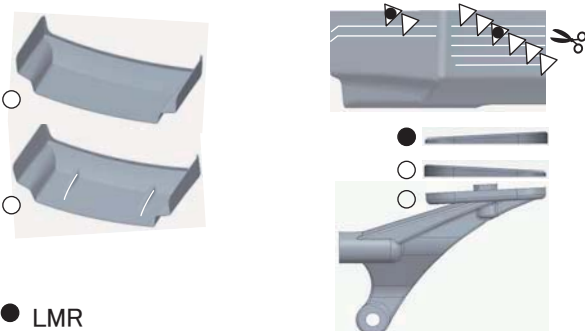


TIRE

**FRONT**  
 TIRE  $\rightarrow$  PL 8175 M3  
 INSERTS  $\rightarrow$  Std  
 WHEELS  $\rightarrow$  YOKOMO B2-821HW

**REAR**  
 TIRE  $\rightarrow$  PL Hole shot M3  
 INSERTS  $\rightarrow$  Std  
 WHEELS  $\rightarrow$  YOKOMO B4-827W

OTHER



COMMENT

Z2-TSSD  
 Z2-TBSD  
 Prototype front wing small on shock tower