

YZF2

SETTING SHEET Ver.02

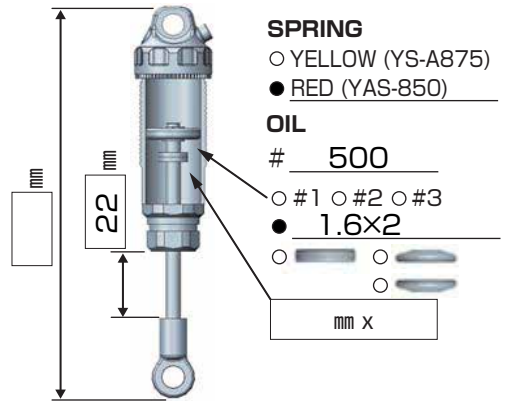
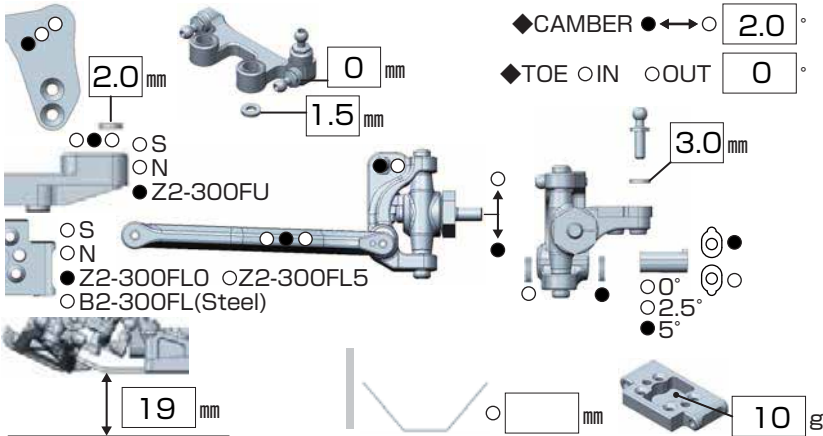
CIRCUIT Energy RC / Guangzhou

- INDOOR ○ OUTDOOR
- WET ● DRY ○ DUSTY ○ OTHER
- LOW TRACTION ○ MED TRACTION ● HIGH TRACTION
- SMOOTH ○ BUMPY ○ BLUE GROOVE ○ ASTROTURF
- CARPET ○ WOOD

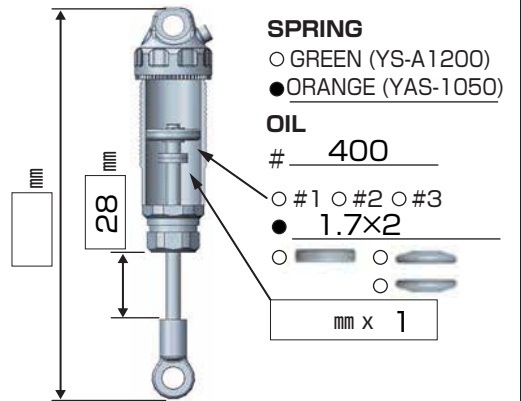
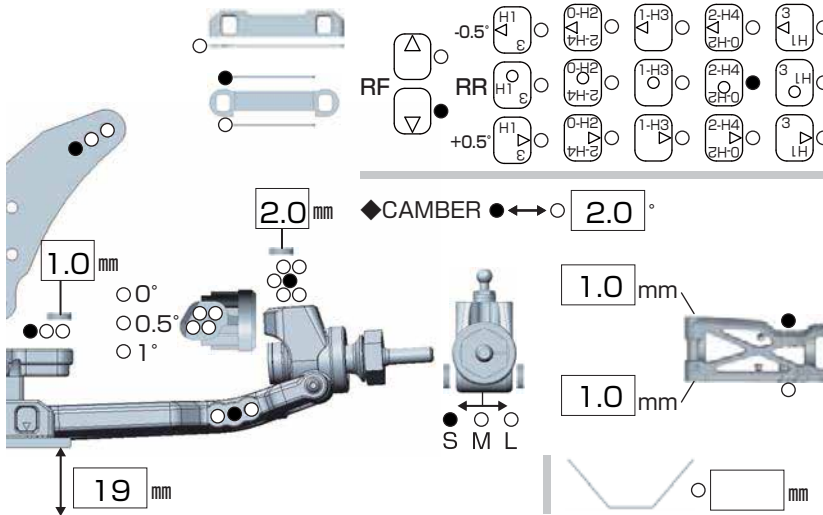
DRIVER Shin Adachi

DATE 2015/APR/05

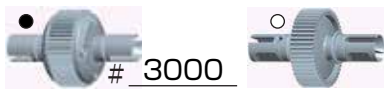
FRONT



REAR

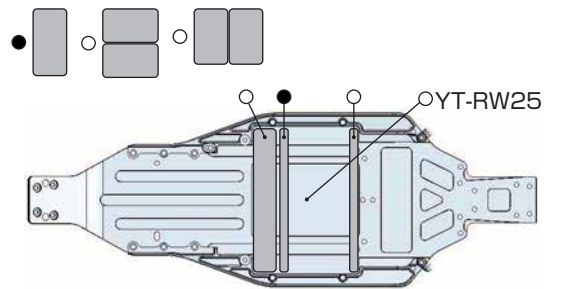


DRIVE



- MOTOR ⇨ Reedy 6.5T ○ Bonded ○ Sintered mm
 GEAR ⇨ Spur 80 T / Pinion 22 T : 2.6
 BATTERY ⇨ Reedy
 ESC ○ Racing Performer X Series
 ○ SE 140R

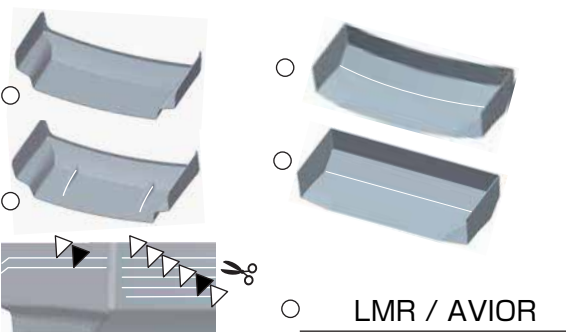
Battery placement



TIRE

- | | |
|--------------------------------------|--|
| FRONT | REAR |
| TIRE ⇨ <u>Schumacher cut stagger</u> | TIRE ⇨ <u>Schumacher Mini Pin Yellow</u> |
| INSERTS ⇨ <u>None</u> | INSERTS ⇨ <u>Schumacher Medium</u> |
| WHEELS ⇨ <u>YOKOMO</u> | WHEELS ⇨ <u>YOKOMO</u> |

OTHER



COMMENT

B-MAX4Ⅲ Rear arm (B4-008R)
 B-MAX2 drive shaft (B2-010R)
 All titanium screw
 All titanium turn buckle
 25g front of servo