

# YZF DTM3.1 CAL3.1

## SETTING SHEET Ver.01

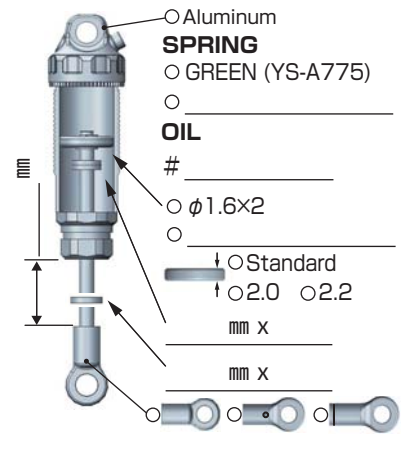
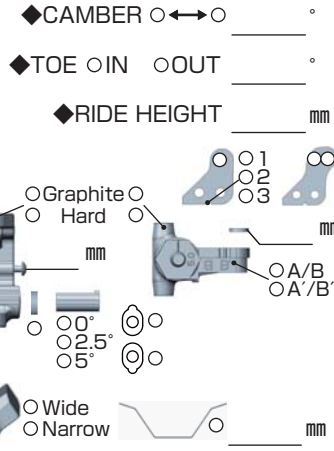
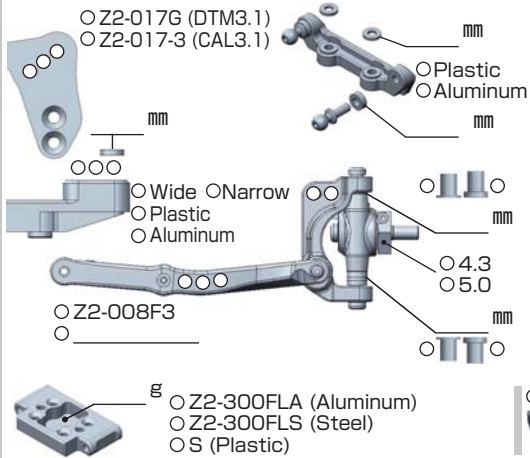
### CIRCUIT

- INDOOR  OUTDOOR  
 DIRT  ASTROTURF  CARPET  GLASS  WOOD  
 WET  DRY  DUSTY  SMOOTH  BUMPY  
 HARD PACKED  CLAY  BIUE GROOVE  \_\_\_\_\_  
 LOW TRACTION  MED TRACTION  HIGH TRACTION

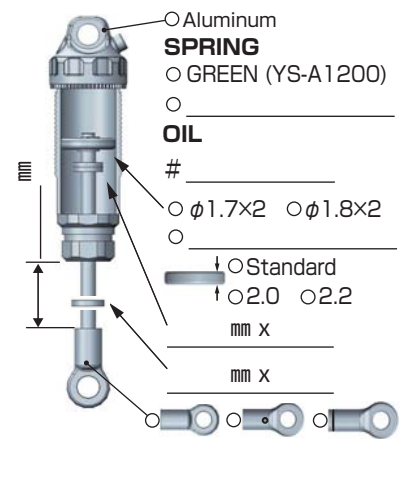
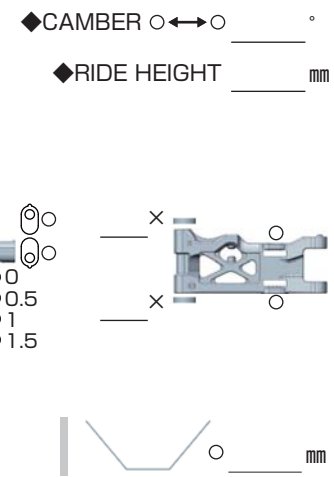
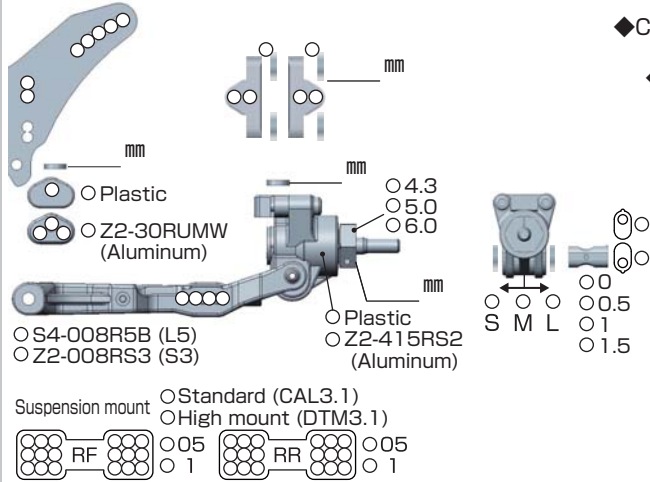
DRIVER \_\_\_\_\_

DATE \_\_\_\_\_

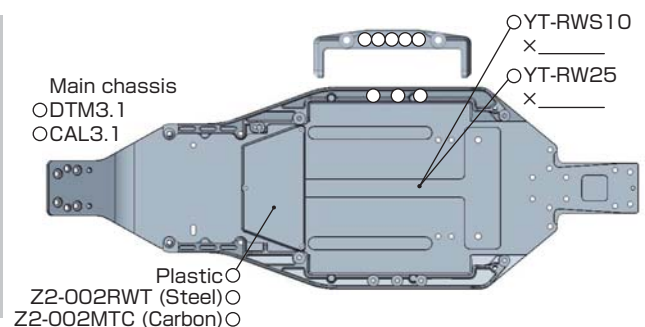
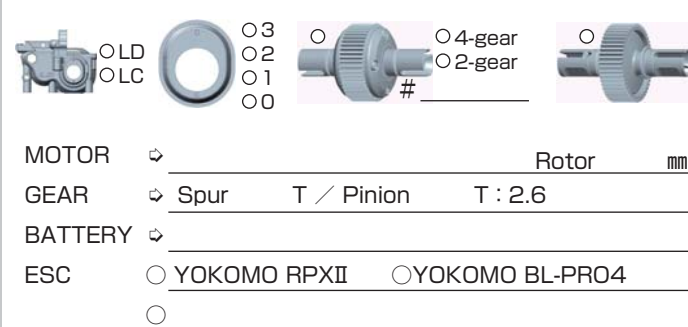
### FRONT



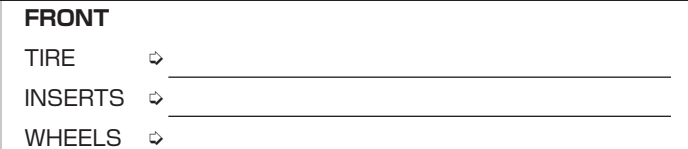
### REAR



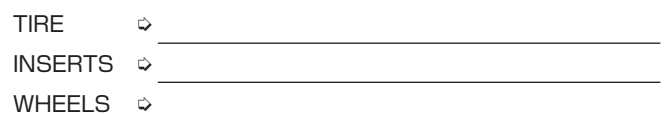
### DRIVE



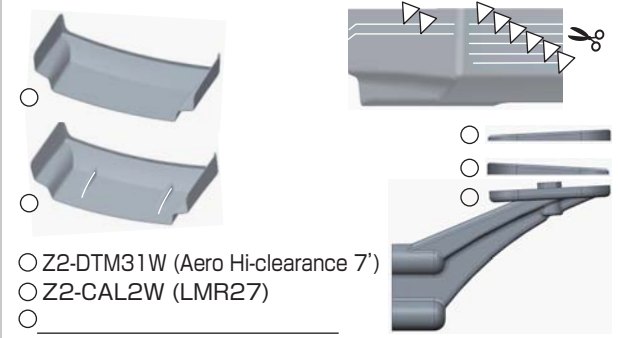
### TIRE



### REAR



### OTHER



### COMMENT

\_\_\_\_\_