

# B-MAX4

## SETTING SHEET Ver.01

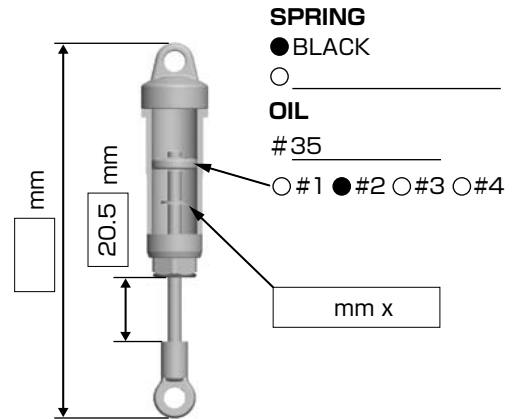
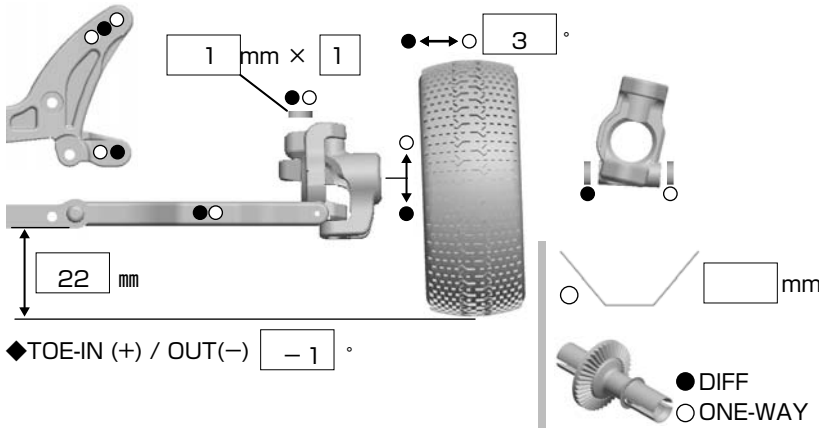
CIRCUIT YATABE ARENA / 2008 ALL JAPAN NATIONALS

- INDOOR  OUTDOOR  
 WET  DRY  DUSTY  OTHER  
 LOW TRACTION  MED TRACTION  HIGH TRACTION  
 SMOOTH  BUMPY  SANDY  GRASS  BLUE GROOVE

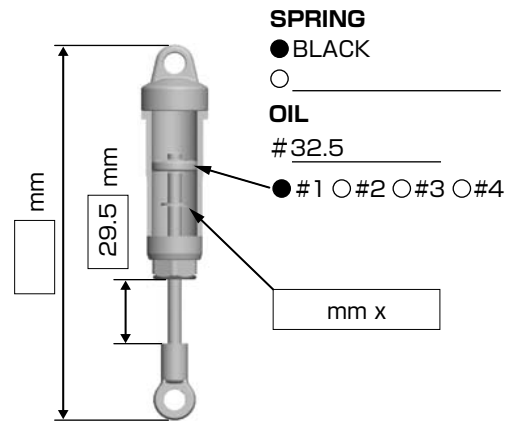
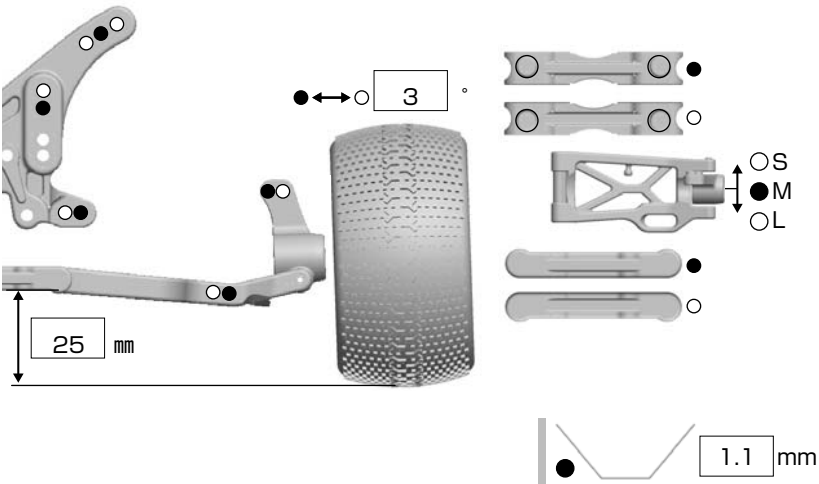
DRIVER NAOT MATSUKURA

DATE 08 /07/27

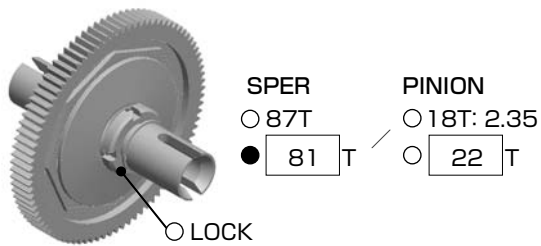
### FRONT



### REAR



### DRIVE



- MOTOR ⇨ NOSRAM STORM EVO 6.5 ○ Bonded  
● Sintered 12.5 mm  
 BRUSHES ⇨ \_\_\_\_\_  
 BATTERY ⇨ FLASH X4600 1B SHV  
 ESC ● MATRIX ISTC ○ VFS-1 CompIII  
 ○ \_\_\_\_\_

### TIRE

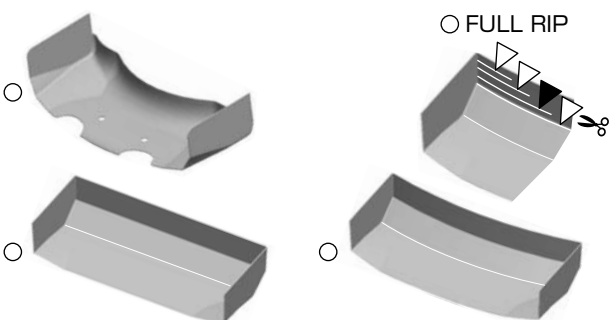
#### FRONT

- TIRE ⇨ PANTHER BOBCAT SOFT \_\_\_\_\_
- INSERTS ⇨ SP-6185 \_\_\_\_\_
- WHEELS ⇨ AS-9768 \_\_\_\_\_

#### REAR

- TIRE ⇨ PANTHER SWITCH 2.0 SOFT \_\_\_\_\_
- INSERTS ⇨ SP-6185 \_\_\_\_\_
- WHEELS ⇨ AS-9689 \_\_\_\_\_

### OTHER



#### COMMENT

- ・サーボセイバー側ボール部に1mmスペーサー追加
- ・JC-0107 ハイダウンフォース ウイング 6 in