

# YZ-4

## SETTING SHEET Ver.01

CIRCUIT

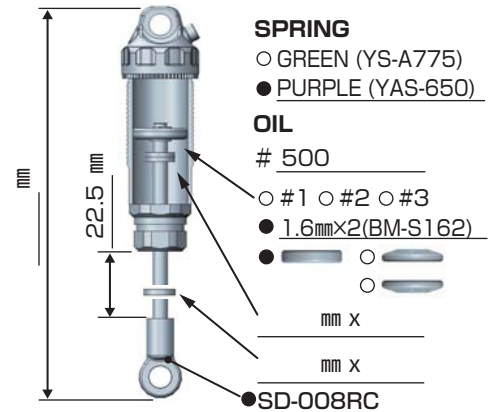
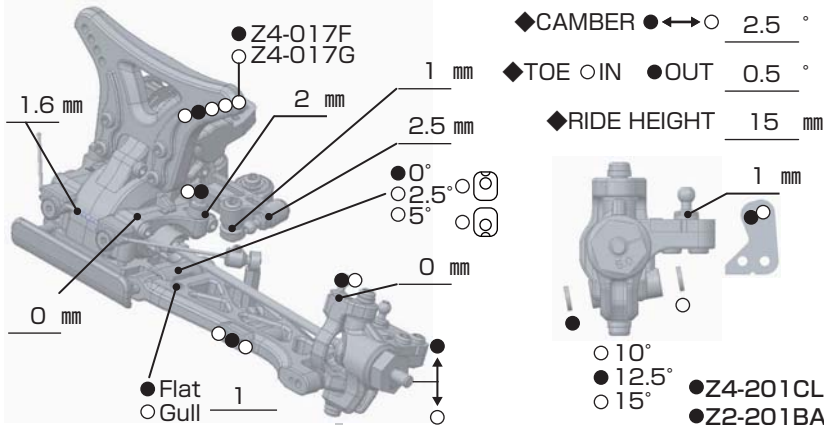
EOS Rd3

- INDOOR ○ OUTDOOR
- WET ○ DRY ○ DUSTY ○ OTHER
- LOW TRACTION ○ MED TRACTION ● HIGH TRACTION
- SMOOTH ○ BUMPY ○ BLUE GROOVE ○ ASTROTURF
- CARPET ○ WOOD ○ CLAY

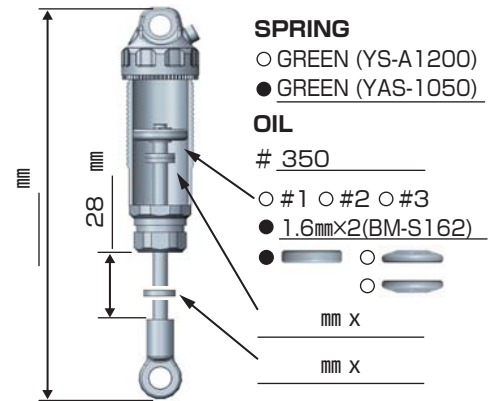
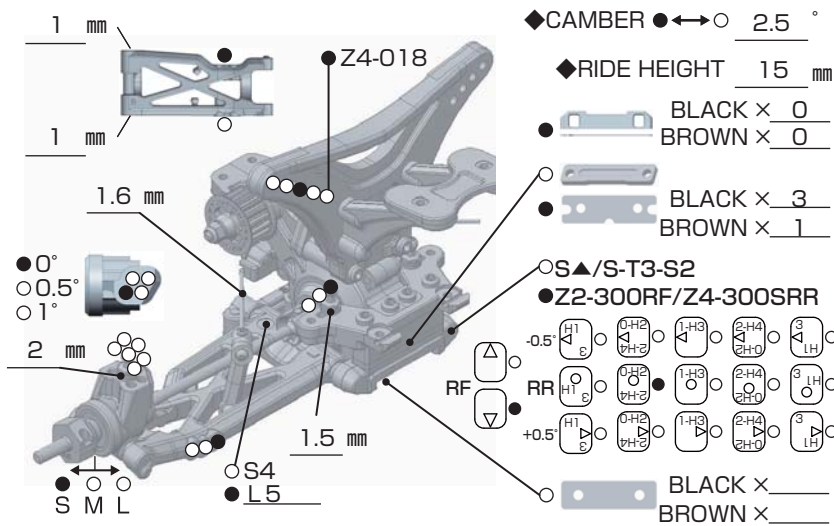
DRIVER Mark Rheinard

DATE 2016/01/31

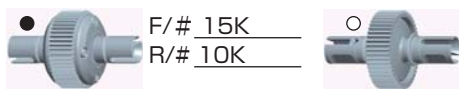
### FRONT



### REAR

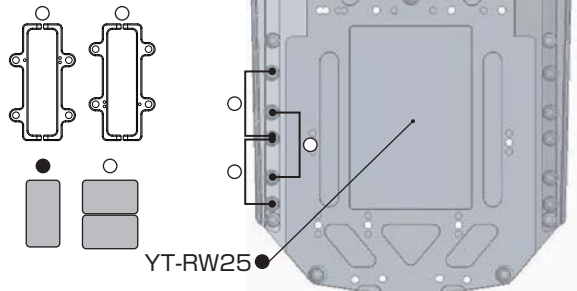


### DRIVE



- MOTOR ⇨ Much more 5.0T  
 GEAR ⇨ Spur 87T / Pinion 20T : 2.6  
 BATTERY ⇨ Much more  
 ESC ○ Racing Performer X Series  
 ● Much more  
 ○ Bonded  
 ○ Sintered mm

Battery placement

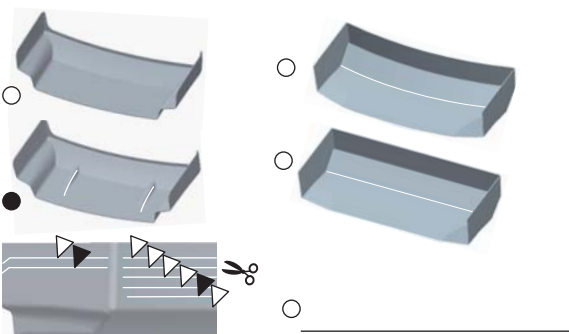


### TIRE

- FRONT  
 TIRE ⇨ Wide Stgger  
 INSERTS ⇨ Schumacher medium  
 WHEELS ⇨ Schumacher

- REAR  
 TIRE ⇨ Mini Pin  
 INSERTS ⇨ Schumacher medium  
 WHEELS ⇨ Schumacher

### OTHER



### COMMENT

- Option parts  
 Z4-010FL Z4-008F1 Z4-008RL5 Z4-101LW  
 Z4-203A Z4-TBS Z4-TSS Z4-412  
 Z4-413125 Z2-415ROO Z4-644H Z2-670VP  
 Z2-300RF B4-300B Z4-300SRR Z4-300RFS  
 Z4-300RRS Z4-304C Z4-304LC Z4-309C  
 Z2-S2SD Z2-S2LD YS-8BH  
 LMR Top deck