

YZ-4

SETTING SHEET Ver.02

CIRCUIT

EURO 2016

INDOOR OUTDOOR

DIRT ASTROTURF CARPET GLASS WOOD

WET DRY DUSTY SMOOTH BUMPY

HARD PACKED CLAY BLUE GROOVE _____

LOW TRACTION MED TRACTION HIGH TRACTION

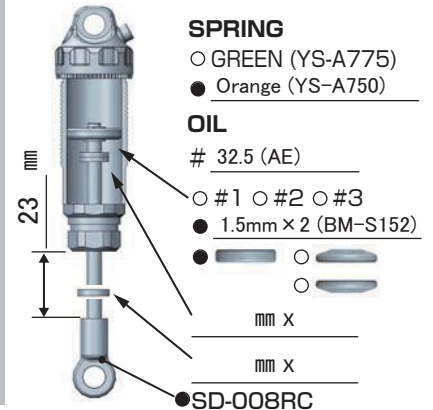
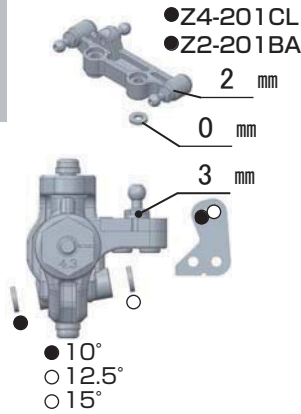
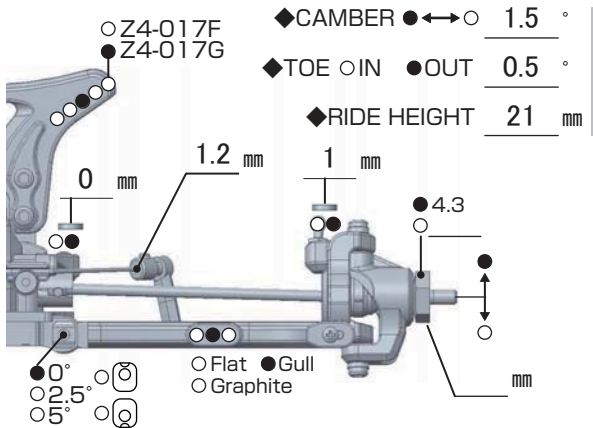
DRIVER

Lee Martin

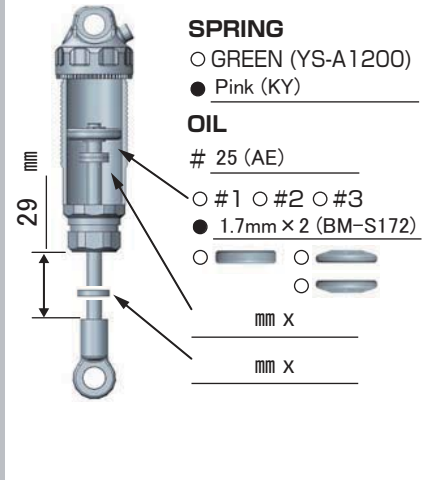
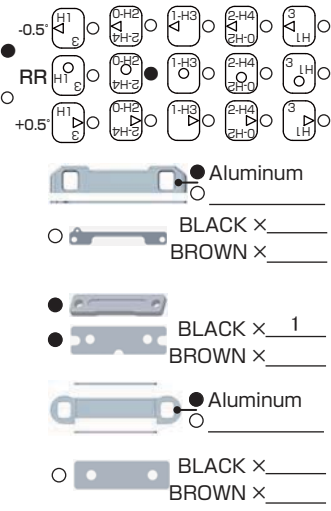
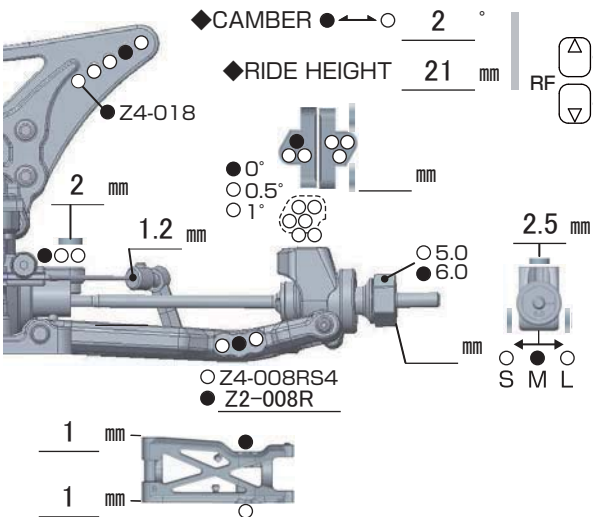
DATE

2016/07/30

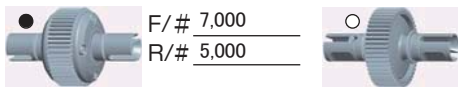
FRONT



REAR



DRIVE



MOTOR \rightarrow RC concept 5.5T _____ Rotor _____ mm

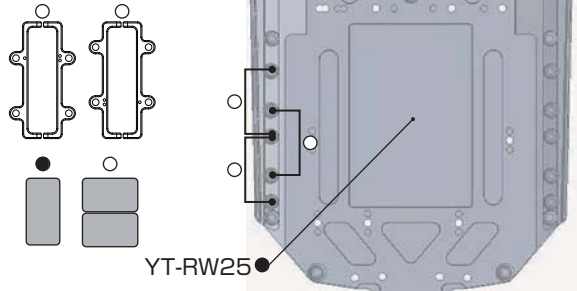
GEAR \rightarrow Spur 87 T / Pinion 20 T : 2.6 _____

BATTERY \rightarrow RC concept _____

ESC YOKOMO RPX YOKOMO BL-PRO _____

RC concept

Battery placement



TIRE

FRONT

TIRE \rightarrow PL Hole shot M3 _____

INSERTS \rightarrow Std _____

WHEELS \rightarrow YOKOMO B4-821W _____

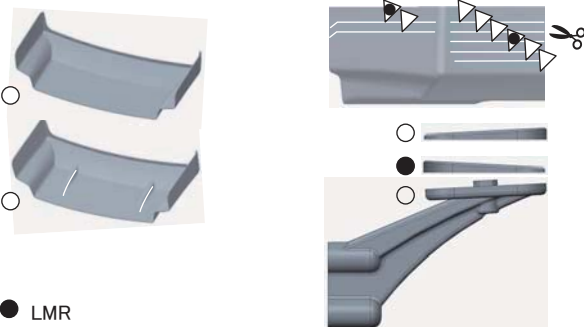
REAR

TIRE \rightarrow PL Hole shot M3 _____

INSERTS \rightarrow Std _____

WHEELS \rightarrow YOKOMO B4-827W _____

OTHER



COMMENT

Z4-TBS
 Z4-TSS
 Z2-S2SD
 Z2-S2LD
 Z2-415RS New aluminum rear hub carrier
 Z4-003S High flex upper deck