

YZF2

SETTING SHEET Ver.01

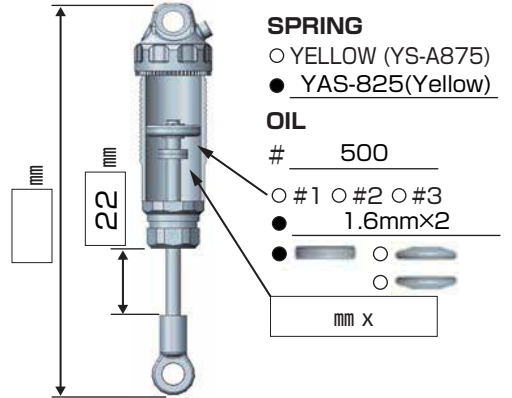
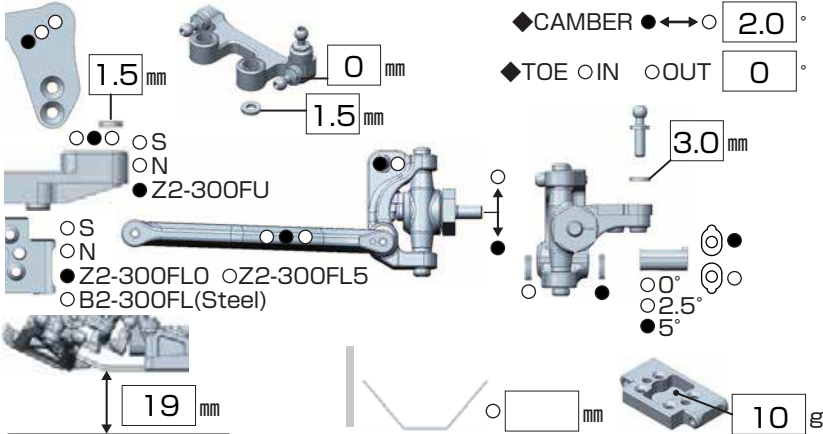
CIRCUIT EOS Round-2

- INDOOR ○ OUTDOOR
- WET ○ DRY ○ DUSTY ○ OTHER
- LOW TRACTION ● MED TRACTION ○ HIGH TRACTION
- SMOOTH ○ BUMPY ○ BLUE GROOVE ○ ASTROTURF
- CARPET ○ WOOD

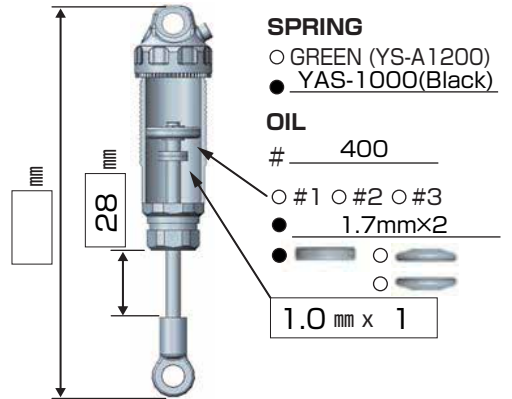
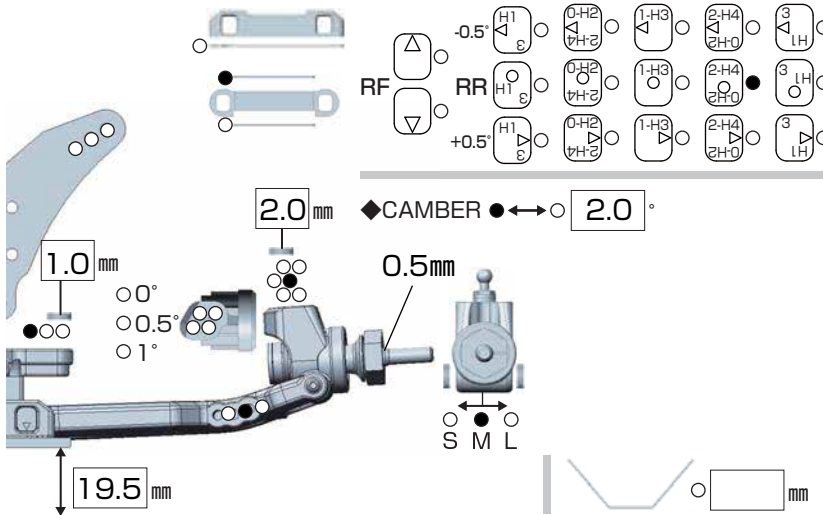
DRIVER Lee Martin
Shinnosuke Adachi

DATE 2015 / 01 / 31

FRONT



REAR

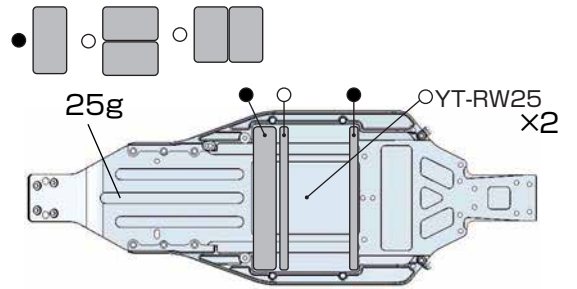


DRIVE



- MOTOR ⇨ Muchmore MR 6.5T ○ Bonded
Reedy 6.5T ○ Sintered mm
- GEAR ⇨ Spur 80 T / Pinion 22 T : 2.6
- BATTERY ⇨ Protek shorty / Reedy shorty
- ESC ○ Racing Performer X Series
○ Muchmore Fuleta / SE 140R

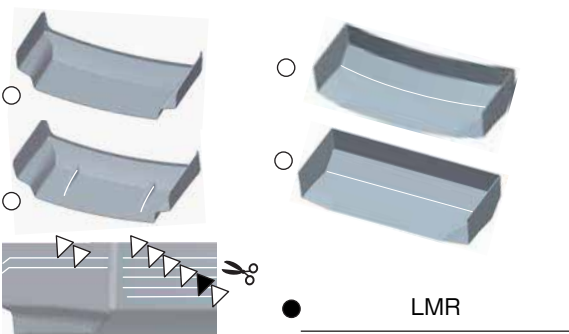
Battery placement



TIRE

- | | | | | | |
|--------------|------------------|----------|-------------|------------------|----------|
| FRONT | TIRE ⇨ | Hand out | REAR | TIRE ⇨ | Hand out |
| | INSERTS ⇨ | Hand out | | INSERTS ⇨ | Hand out |
| | WHEELS ⇨ | Hand out | | WHEELS ⇨ | Hand out |

OTHER



COMMENT

- All titanium screw
- All titanium turn buckle
- Rear shock mounting back
- Flat front arm