

YZZ-2 DT

SETTING SHEET Ver.02

CIRCUIT

RC MANIAX ARENA

● INDOOR ○ OUTDOOR

○ DIRT ○ ASTROTURF ○ CARPET ○ GLASS ○ WOOD

○ WET ○ DRY ○ DUSTY ● SMOOTH ○ BUMPY

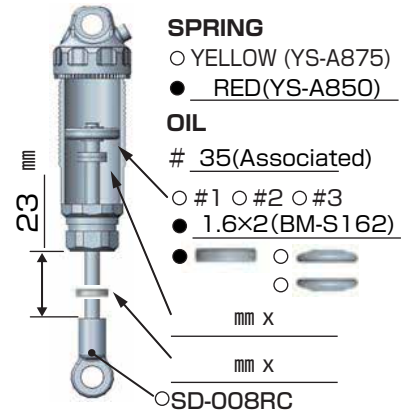
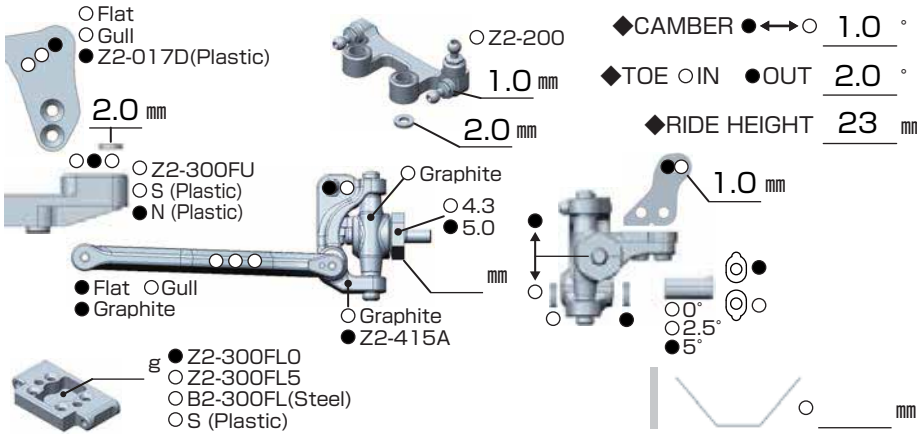
○ HARD PACKED ● CLAY ○ BIUE GROOVE ○

● LOW TRACTION ○ MED TRACTION ○ HIGH TRACTION

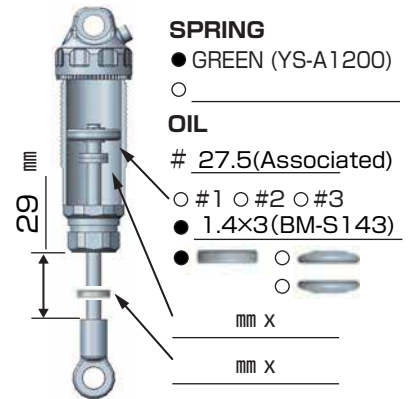
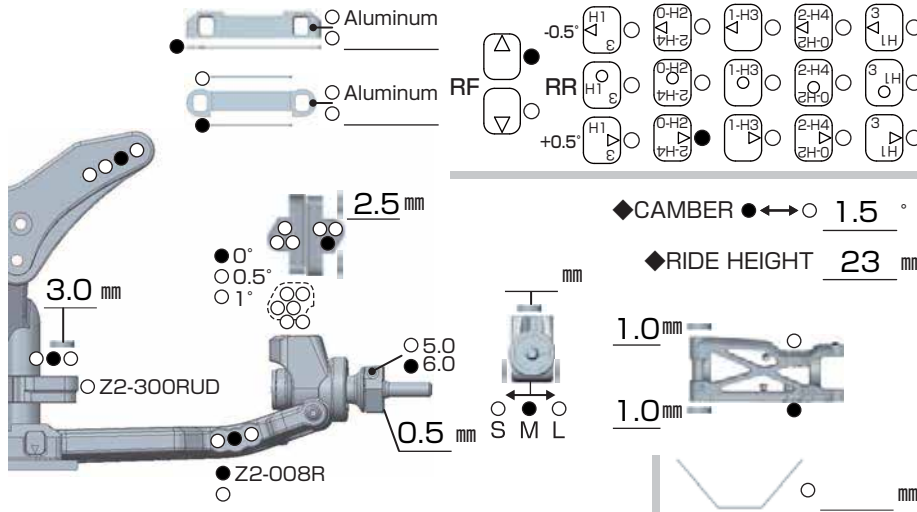
DRIVER Kaito Kodera

DATE 2016.09.11

FRONT



REAR



DRIVE



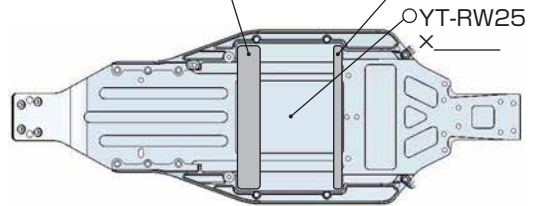
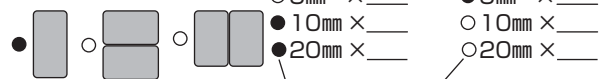
MOTOR ⇨ Racing Performer M2 7.5T

GEAR ⇨ Spur 80 T / Pinion 22 T : 2.6

BATTERY ⇨ Racing Performer Ultra Li-po 5000

ESC ● YOKOMO RPX ○ YOKOMO BL-PRO

Battery placement



TIRE

FRONT

TIRE ⇨ PL Electron 2.2 MC

INSERTS ⇨ BM-T16

WHEELS ⇨ B2-821HY

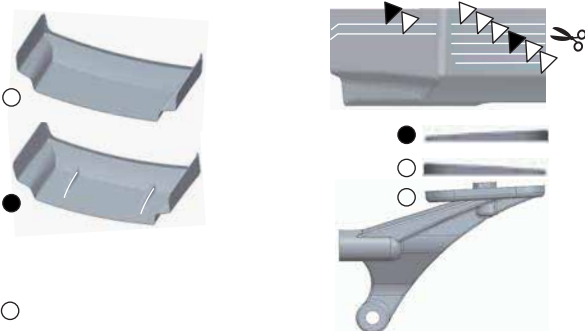
REAR

TIRE ⇨ PL Electron 2.2 MC

INSERTS ⇨ BM-T16

WHEELS ⇨ B4-827

OTHER



COMMENT

Z2-018BMG Z2-415RS Z2-01050B
Z2-670VP Z2-TSSD Z2-TBSD
Z2-S2SD Z2-S2LD