

YZ44SF

SETTING SHEET Ver.01

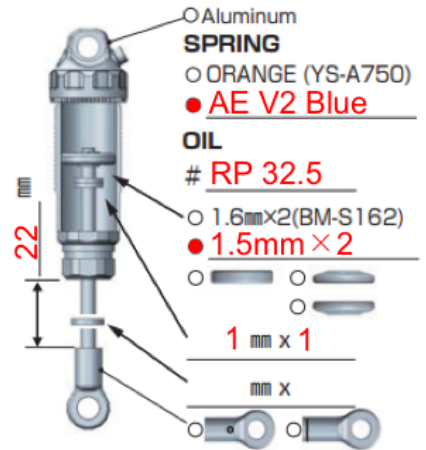
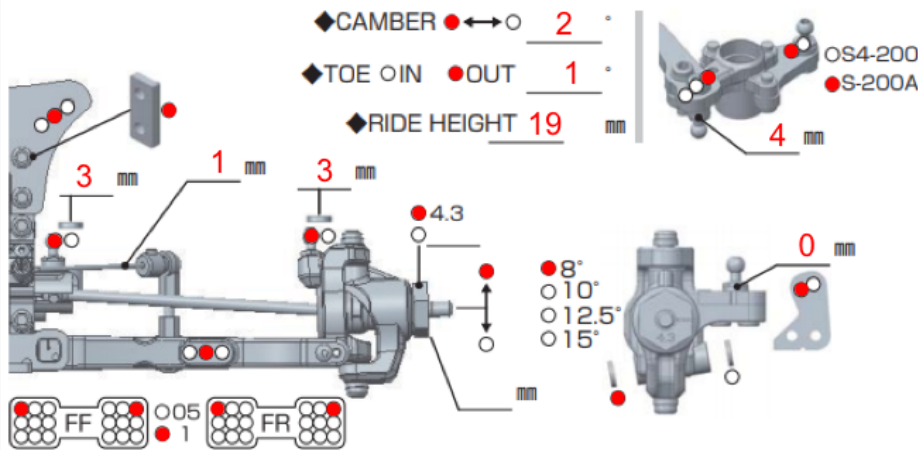
CIRCUIT **Champ stadium (Japan)**

- INDOOR OUTDOOR
- DIRT ASTROTURF CARPET GLASS WOOD
- WET DRY DUSTY SMOOTH BUMPY
- HARD PACKED CLAY BLUE GROOVE _____
- LOW TRACTION MED TRACTION HIGH TRACTION

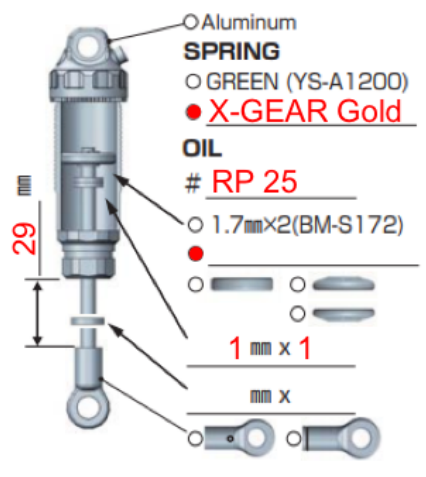
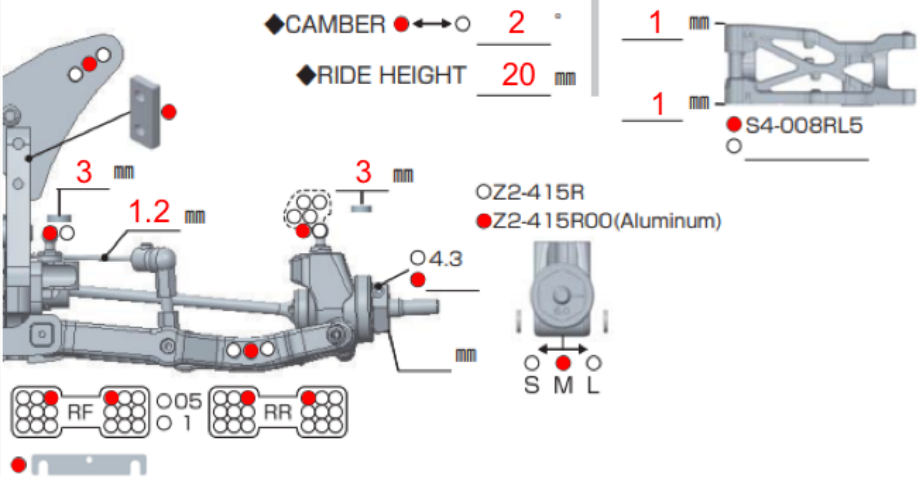
DRIVER **Yusuke Sugiura**

DATE **2019 / 4 / 21**

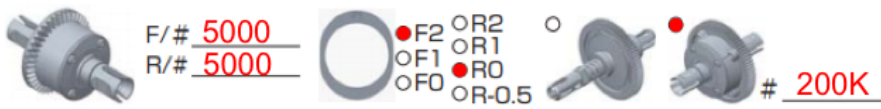
FRONT



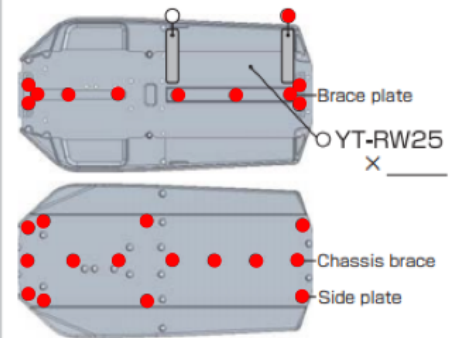
REAR



DRIVE



- MOTOR ⇨ **Muchmore FLETA ZX V2 6.5T Rotor Standard** mm
- GEAR ⇨ **Spur 80 T / Pinion 19 T : 2.6**
- BATTERY ⇨ **Muchmore IMPACT 4300**
- ESC YOKOMO RPX YOKOMO BL-PR04
- **Muchmore FLETA PRO V2**

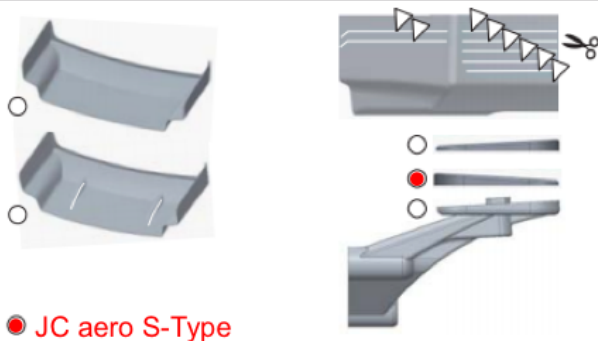


TIRE

- FRONT**
- TIRE ⇨ **PL Electron**
- INSERTS ⇨ **PL**
- WHEELS ⇨ **Yokomo**

- REAR**
- TIRE ⇨ **PL Electron**
- INSERTS ⇨ **PL**
- WHEELS ⇨ **Yokomo**

OTHER



- COMMENT
- RP titanium screw
 - Titanium turnbuckle
 - Aluminum 17 mm servo horn
 - Light weight S1 body
 - Servo : SANWA PGS-LH