

YZ44SF

SETTING SHEET Ver.01

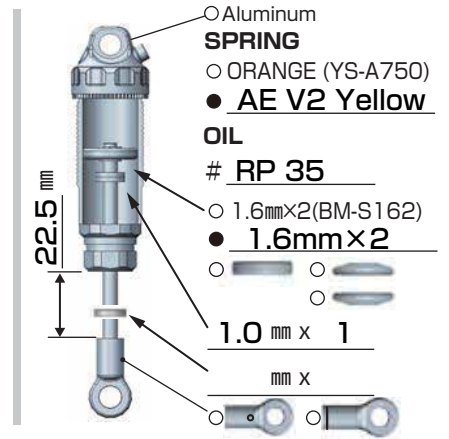
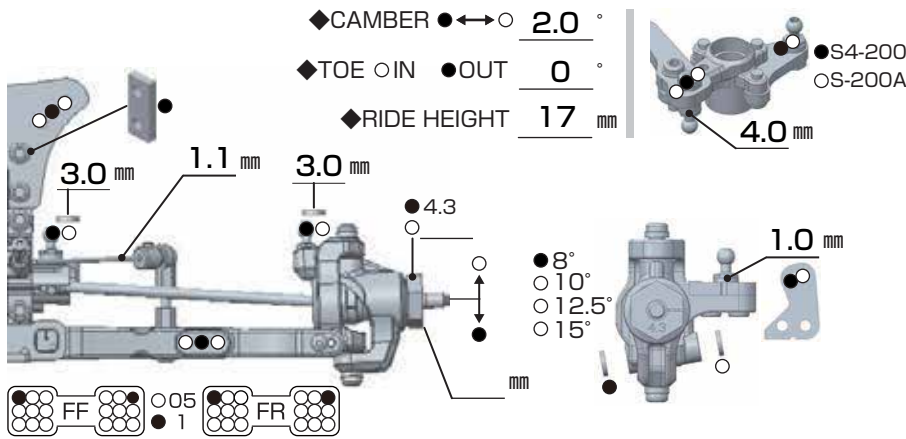
CIRCUIT **RC PARK GOJO (Japan Nat's 2019)**

- INDOOR ○ OUTDOOR
- DIRT ○ ASTROTURF ○ CARPET ○ GLASS ○ WOOD
- WET ○ DRY ○ DUSTY ● SMOOTH ○ BUMPY
- HARD PACKED ● CLAY ○ BLUE GROOVE ○
- LOW TRACTION ● MED TRACTION ● HIGH TRACTION

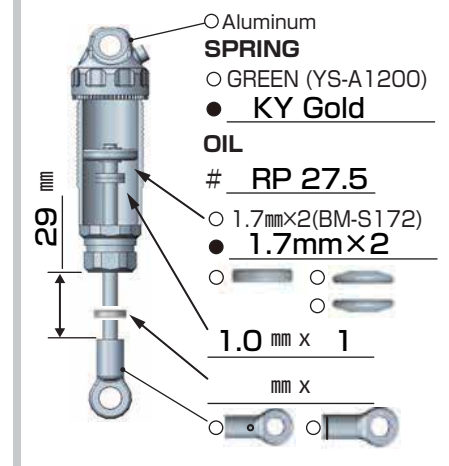
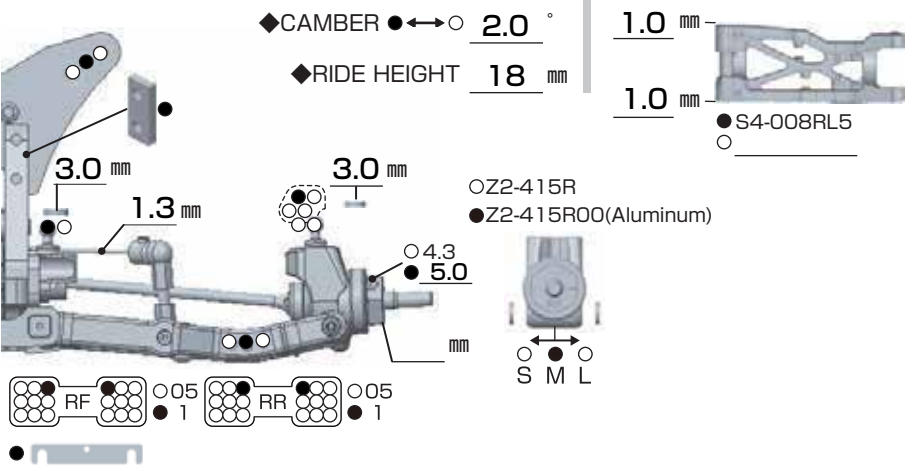
DRIVER **Kaito Kodera**

DATE **07/July/2019**

FRONT



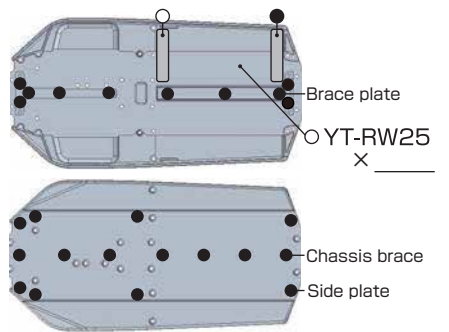
REAR



DRIVE



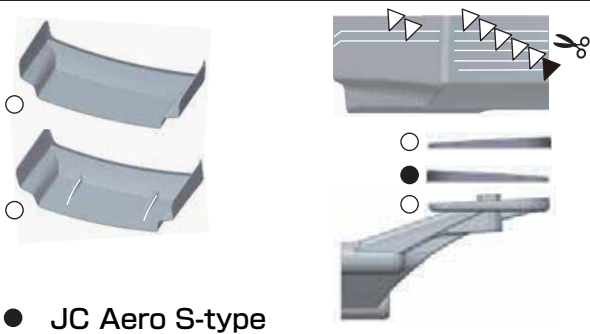
- MOTOR ⇨ Racing Performer 6.5T Rotor Standard mm
- GEAR ⇨ Spur 80 T / Pinion 20 T : 2.6
- BATTERY ⇨ Racing Performer Li-po 3900mAh
- ESC ○ YOKOMO RPX ● YOKOMO BL-PRO4
-



TIRE

- | | |
|--|---|
| <p>FRONT</p> <p>TIRE ⇨ <u>Proline Positron (Hand out)</u></p> <p>INSERTS ⇨ <u>Standard</u></p> <p>WHEELS ⇨ <u>YOKOMO</u></p> | <p>REAR</p> <p>TIRE ⇨ <u>Proline Positron (Hand out)</u></p> <p>INSERTS ⇨ <u>Standard</u></p> <p>WHEELS ⇨ <u>YOKOMO</u></p> |
|--|---|

OTHER



COMMENT

- Racing Performer Titanium screw
- Titanium turnbuckle
- Aluminum 17mm servo horn
- Light weight F2 Body
- Use JC front scoop