

YZ44SF

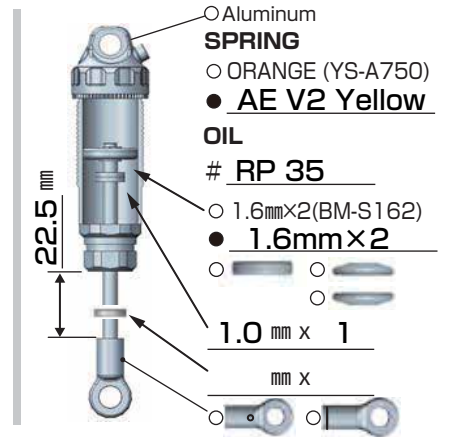
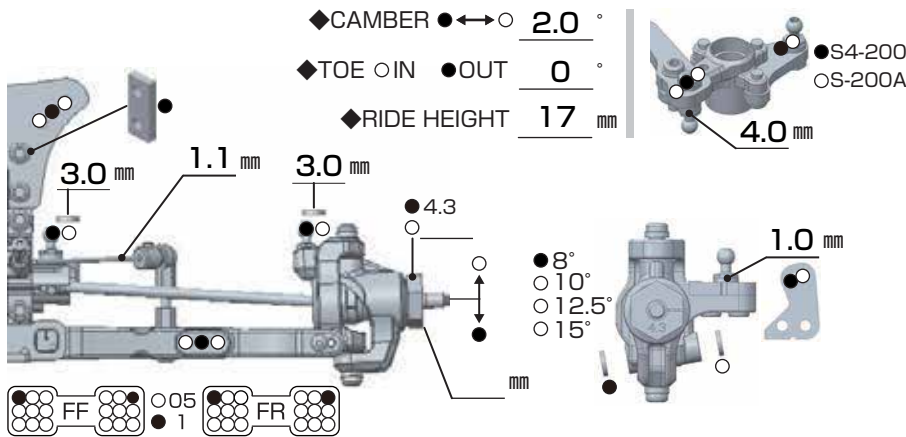
SETTING SHEET Ver.01

CIRCUIT **RC PARK GOJO (Japan Nat's 2019)**

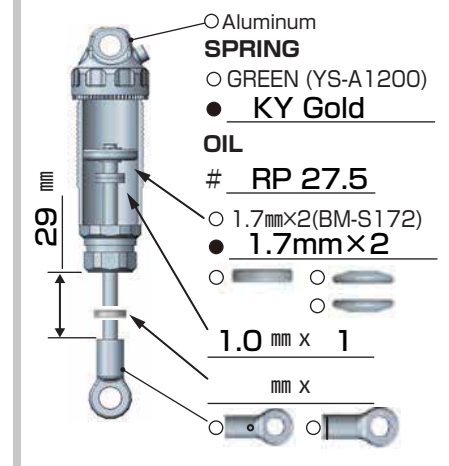
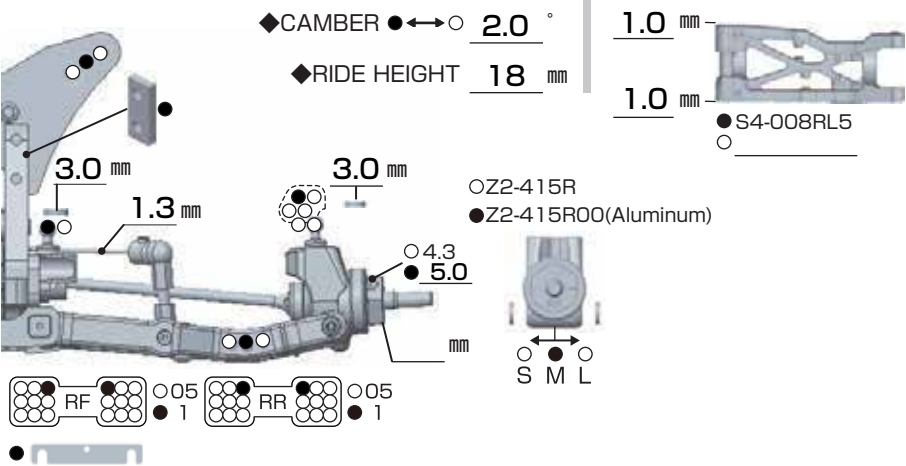
- INDOOR ○ OUTDOOR
- DIRT ○ ASTROTURF ○ CARPET ○ GLASS ○ WOOD
- WET ○ DRY ○ DUSTY ● SMOOTH ○ BUMPY
- HARD PACKED ● CLAY ○ BLUE GROOVE ○
- LOW TRACTION ● MED TRACTION ● HIGH TRACTION

DRIVER **Yusuke Sugiura** DATE **07/July/2019**

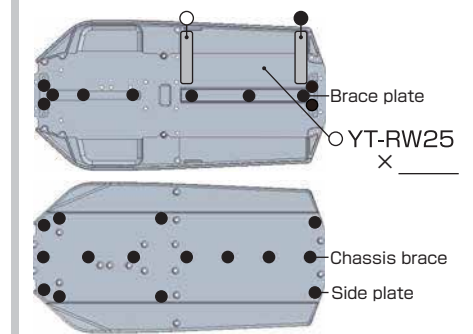
FRONT



REAR



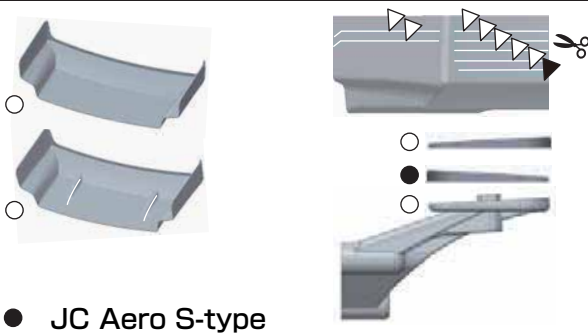
DRIVE



TIRE

FRONT	REAR
TIRE ⇨ Proline Positron (Hand out)	TIRE ⇨ Proline Positron (Hand out)
INSERTS ⇨ Standard	INSERTS ⇨ Standard
WHEELS ⇨ YOKOMO	WHEELS ⇨ YOKOMO

OTHER



COMMENT

- Racing Performer Titanium screw
- Titanium turnbuckle
- Aluminum 17mm servo horn
- Light weight F2 Body
- Use JC front scoop