

YZZ-DTM3 CAL3

SETTING SHEET Ver.01

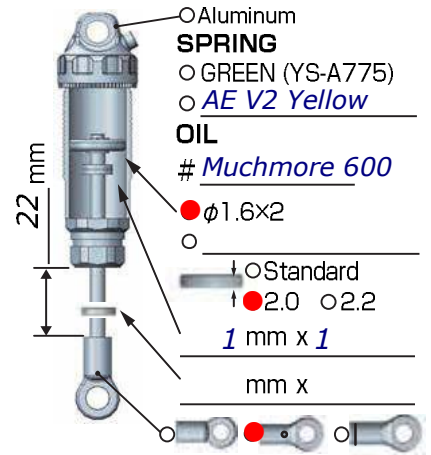
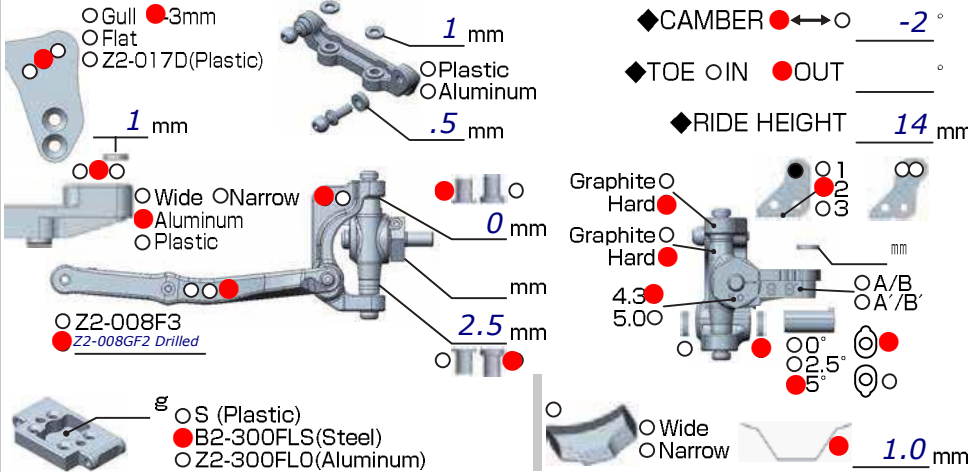
CIRCUIT NCTS Final THUNDER ROAD

- INDOOR ○ OUTDOOR
- DIRT ○ASTROTURF ●CARPET ○GLASS ○WOOD
- WET ○DRY ○DUSTY ●SMOOTH ○BUMPY
- HARD PACKED ○CLAY ○BIUE GROOVE ○Black CRC Mixed
- LOW TRACTION ●MED TRACTION ●HIGH TRACTION

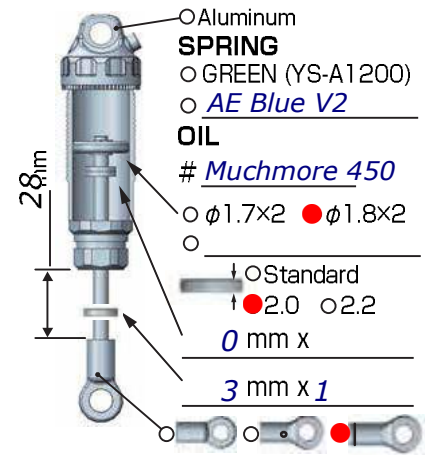
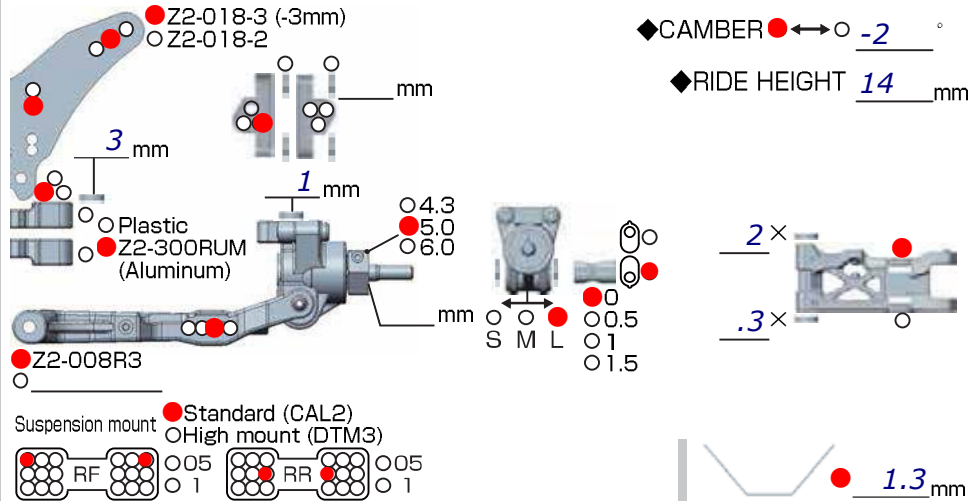
DRIVER **Matty G**

DATE _____

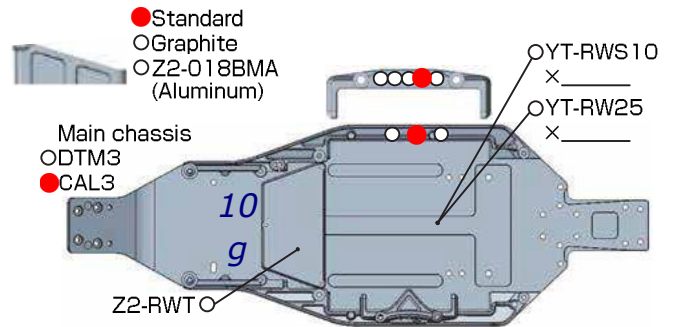
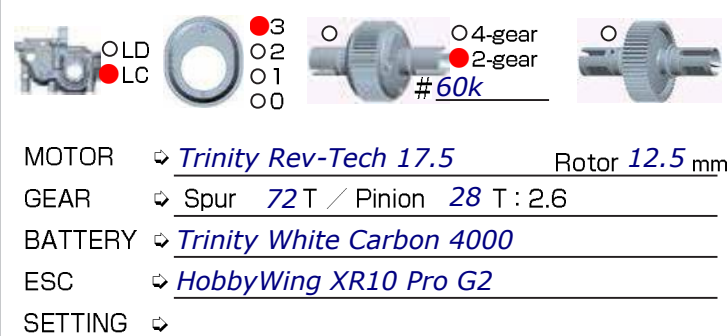
FRONT



REAR



DRIVE

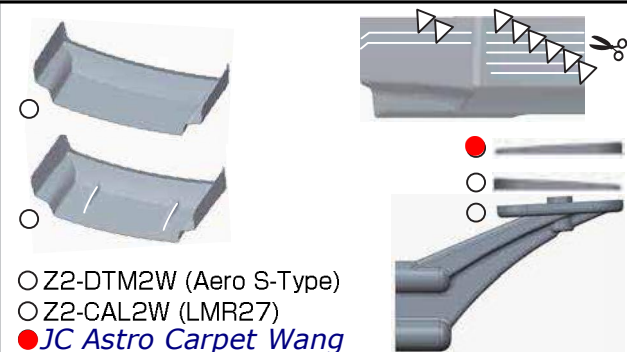


TIRE

FRONT
 TIRE ⇨ JConcepts Swaggers
 INSERTS ⇨ None
 WHEELS ⇨ JC Mono

REAR
 TIRE ⇨ JConcepts Twin Pins
 INSERTS ⇨ JC 4wd Front Foam
 WHEELS ⇨ JC Mono

OTHER



- YOKZ2-300FUS (Wide Front Ballstud Mount)
- YOKYS-8BH (Shocks Spaced 4mm of the tower)
- A'/B'
- YOKZ2-300RUM Rear Ball Stud Mount
- RC Speed Secrets Bearings and Screws
- Running Weight 1506
- WAR Carbon Battery Strap