

# YZ4F2 DTM3 CAL3 SETTING SHEET Ver.01

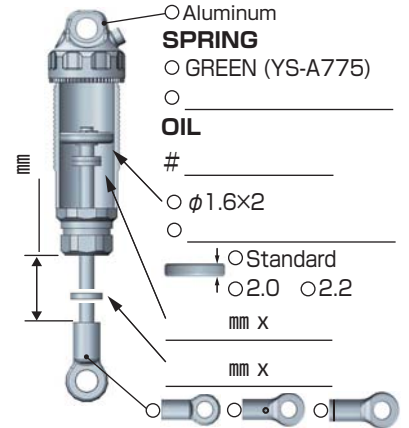
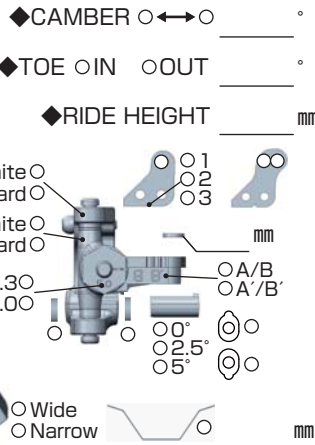
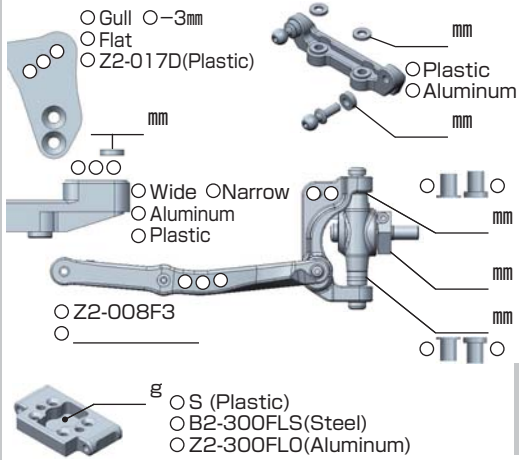
## CIRCUIT

- INDOOR  OUTDOOR  
 DIRT  ASTROTURF  CARPET  GLASS  WOOD  
 WET  DRY  DUSTY  SMOOTH  BUMPY  
 HARD PACKED  CLAY  BIUE GROOVE  \_\_\_\_\_  
 LOW TRACTION  MED TRACTION  HIGH TRACTION

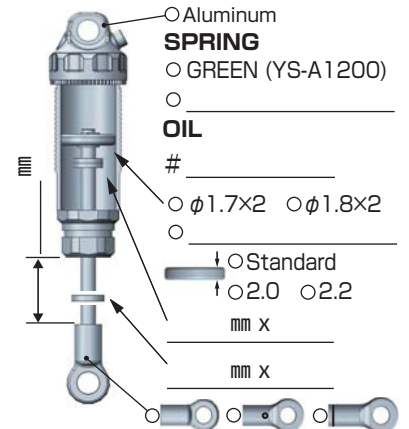
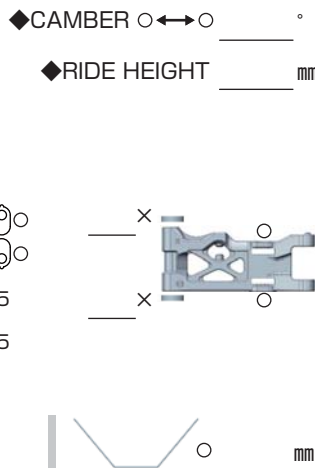
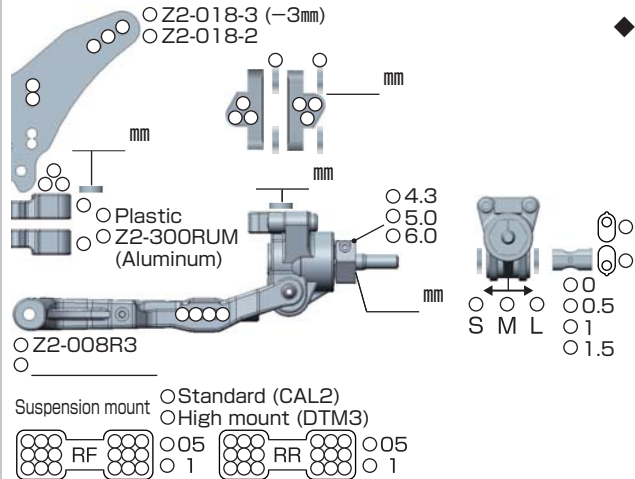
DRIVER \_\_\_\_\_

DATE \_\_\_\_\_

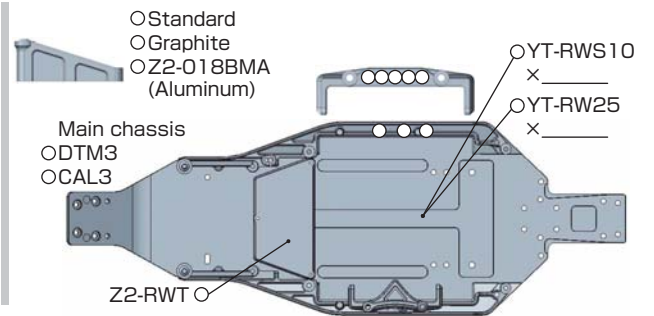
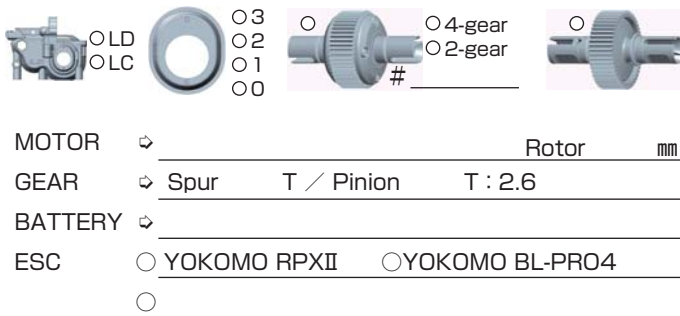
## FRONT



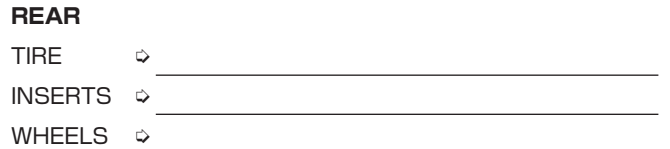
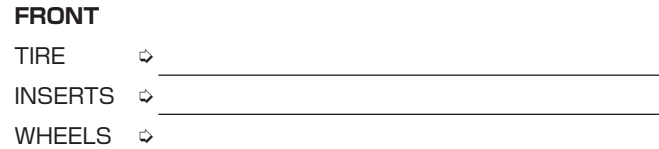
## REAR



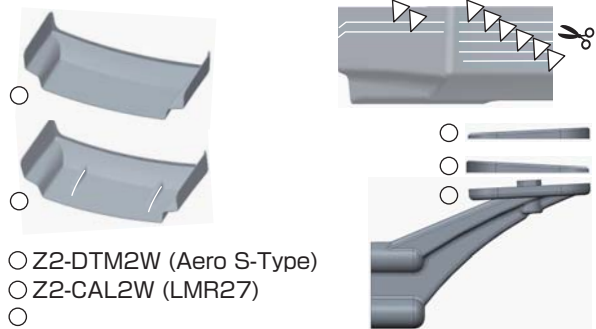
## DRIVE



## TIRE



## OTHER



## COMMENT