

# MO 2.0

## SETTING SHEET Ver.01

### CIRCUIT

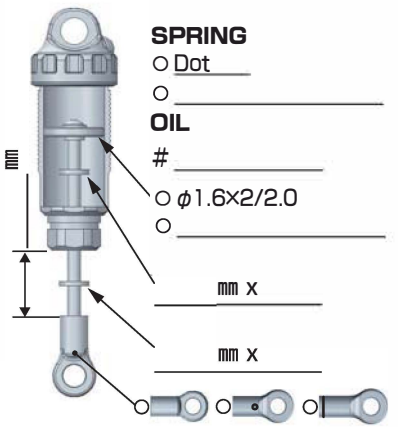
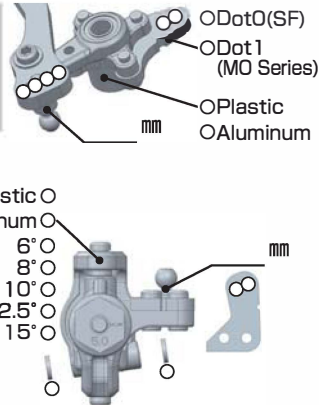
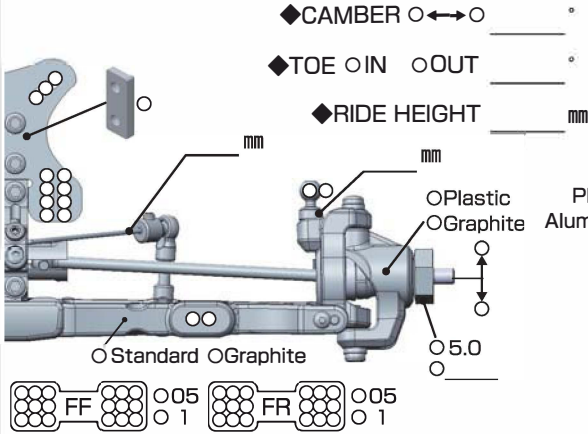
- INDOOR  OUTDOOR  
 DIRT  ASTROTURF  CARPET  GLASS  WOOD  
 WET  DRY  DUSTY  SMOOTH  BUMPY  
 HARD PACKED  CLAY  BLUE GROOVE  \_\_\_\_\_  
 LOW TRACTION  MED TRACTION  HIGH TRACTION

DRIVER

DATE

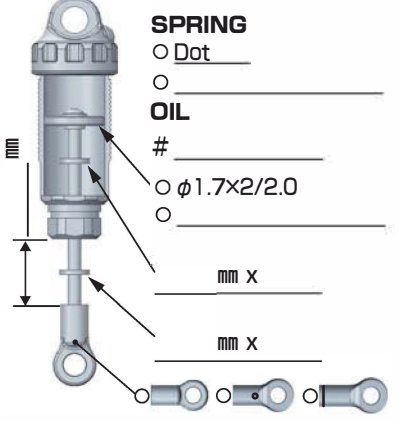
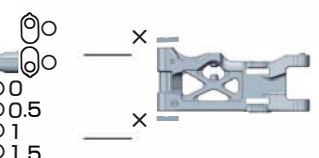
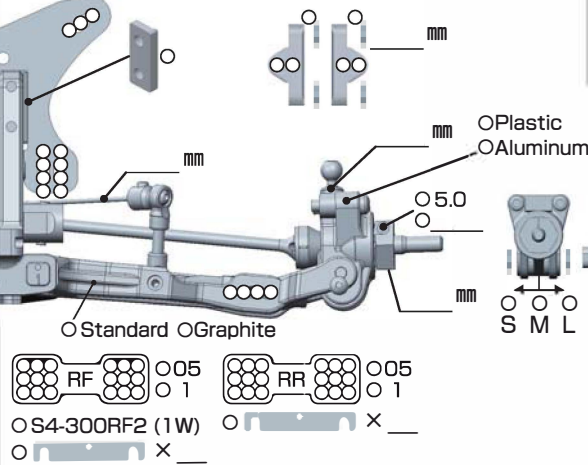
### FRONT

- CAMBER   $\leftrightarrow$   \_\_\_\_\_ °  
 TOE  IN  OUT \_\_\_\_\_ °  
 RIDE HEIGHT \_\_\_\_\_ mm

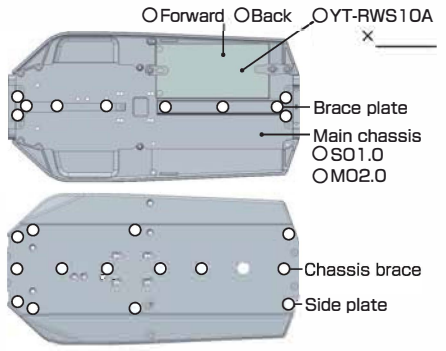
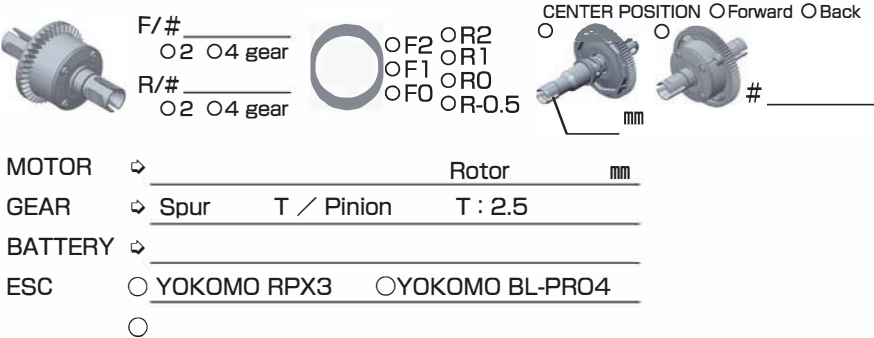


### REAR

- CAMBER   $\leftrightarrow$   \_\_\_\_\_ °  
 RIDE HEIGHT \_\_\_\_\_ mm



### DRIVE



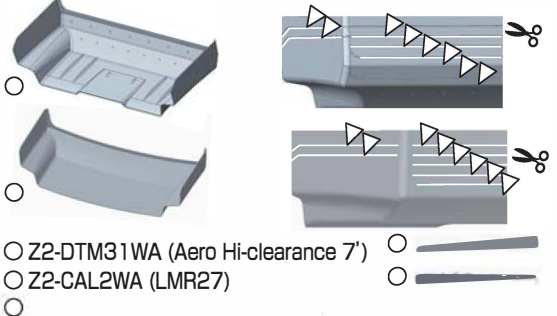
### TIRE

- FRONT**  
 TIRE  \_\_\_\_\_  
 INSERTS  \_\_\_\_\_  
 WHEELS  \_\_\_\_\_

### REAR

- TIRE  \_\_\_\_\_  
 INSERTS  \_\_\_\_\_  
 WHEELS  \_\_\_\_\_

### OTHER



### COMMENT

\_\_\_\_\_