

# 5030 SETTING SHEET Ver.01

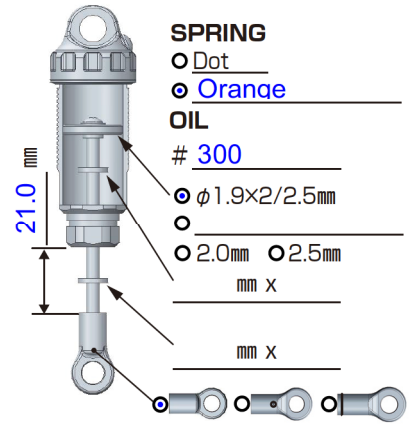
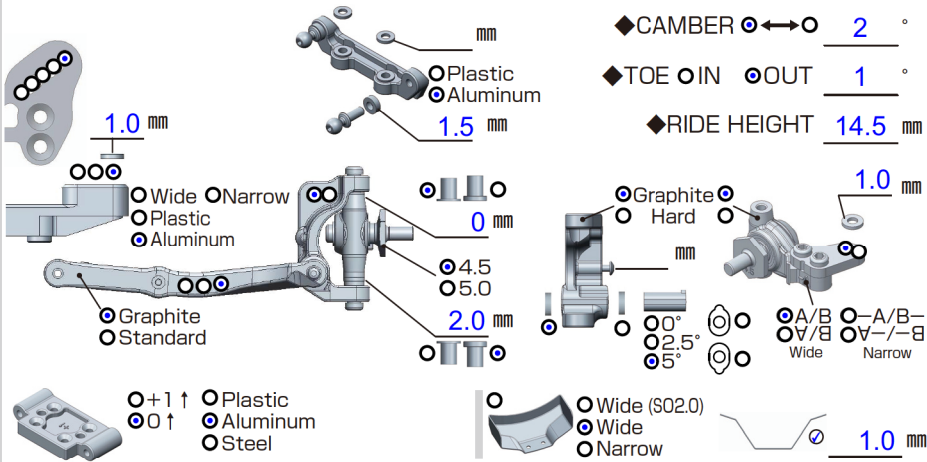
CIRCUIT **RC MANIAX ARENA**

- INDOOR  OUTDOOR  
 DIRT  ASTROTURF  CARPET  GLASS  WOOD  
 WET  DRY  DUSTY  SMOOTH  BUMPY  
 HARD PACKED  CLAY  BIUE GROOVE  \_\_\_\_\_  
 LOW TRACTION  MED TRACTION  HIGH TRACTION

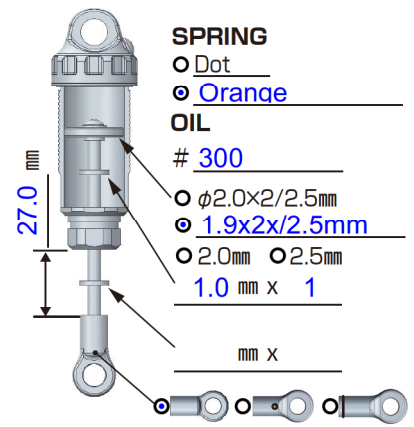
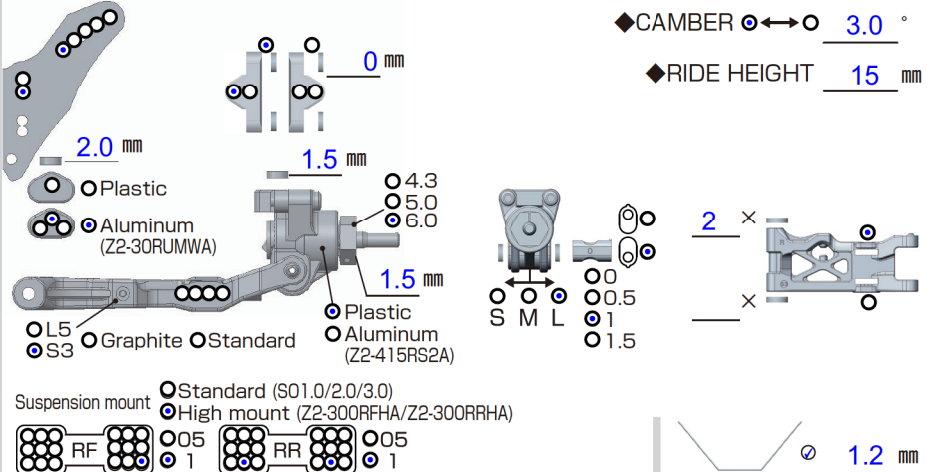
DRIVER **Yasumasa Kataoka**

DATE **2025/1/26**

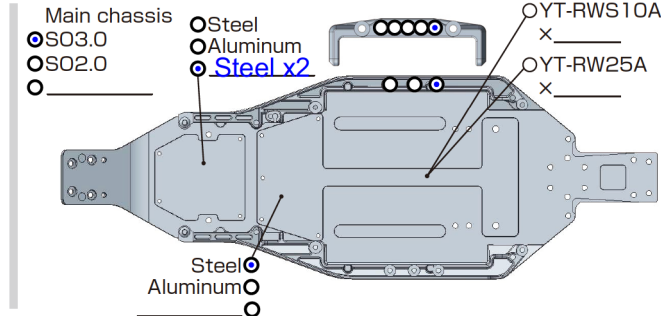
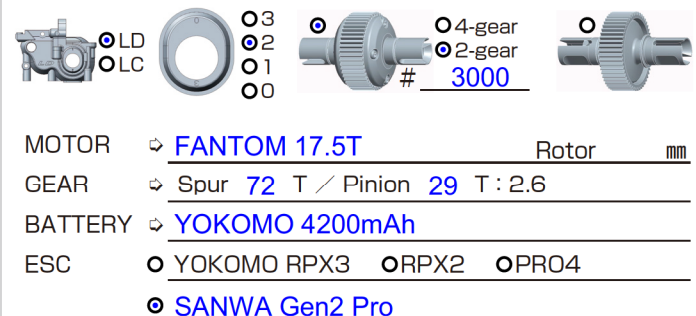
## FRONT



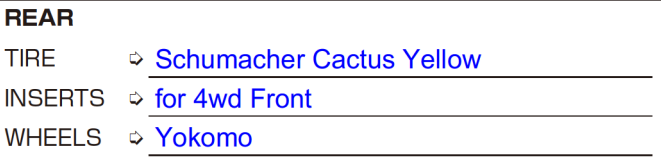
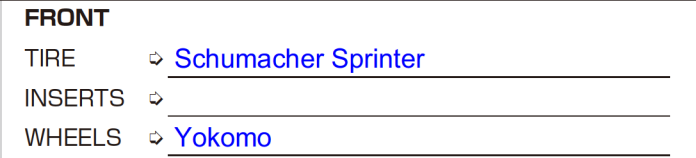
## REAR



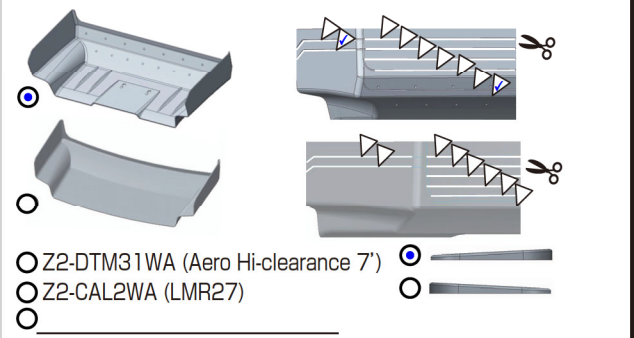
## DRIVE



## TIRE



## OTHER



**COMMENT**  
 Body: S3 Lightweight  
 Front Tire: Outside All shoulder glue, Inner half glue  
 Rear Tire: Outer inner 1-row pin cut