

YZ-4

SETTING SHEET Ver.01

CIRCUIT

RCManiax ARENA

INDOOR OUTDOOR

WET DRY DUSTY OTHER

LOW TRACTION MED TRACTION HIGH TRACTION

SMOOTH BUMPY BLUE GROOVE ASTROTURF

CARPET WOOD CLAY

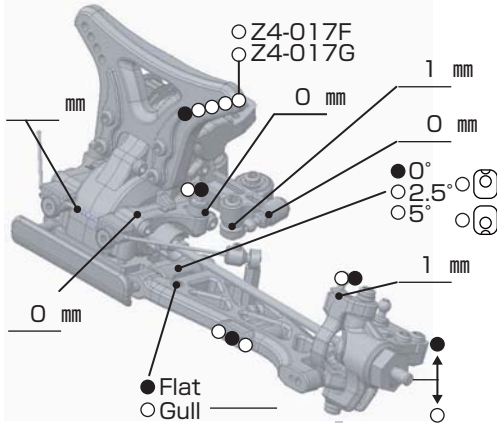
DRIVER

Team setup

DATE

2016/03/27

FRONT

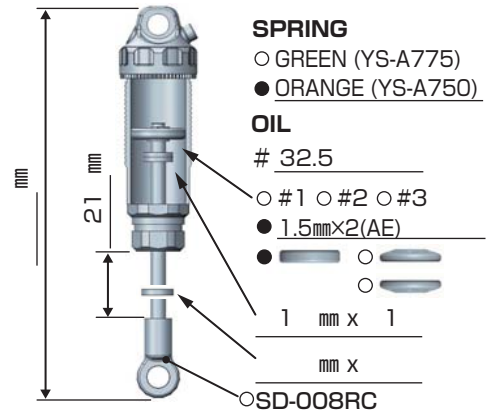


◆ CAMBER ● ↔ ○ 2°
◆ TOE ○ IN ○ OUT 0.5°
◆ RIDE HEIGHT 21 mm

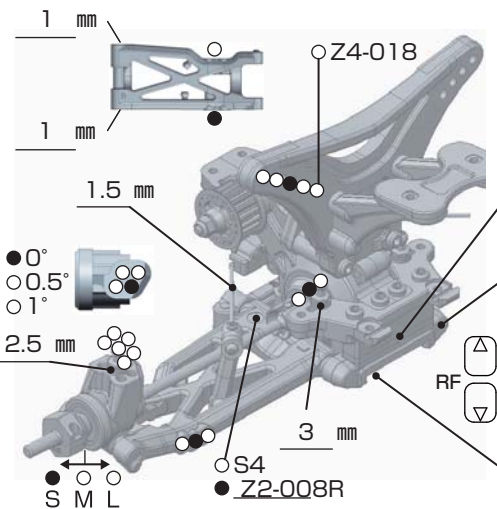
1 mm

○ 10°
● 12.5°
○ 15°

● Z4-201CL
● Z2-201BA



REAR



◆ CAMBER ● ↔ ○ 2°
◆ RIDE HEIGHT 21 mm

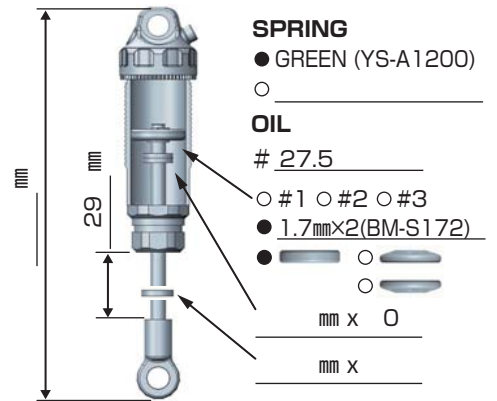
● BLACK × 1
○ BROWN × -

● BLACK ×
○ BROWN ×

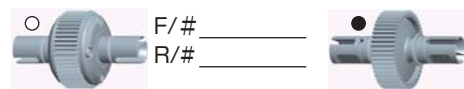
○ S▲/S-T3-S2
● Z2-300RF/Z4-300SRR

○ -0.5°
○ 0°
○ +0.5°

○ BLACK × 1
○ BROWN × 1



DRIVE



MOTOR ⇨ Racing Performer M2 5.5T Bonded Sintered mm

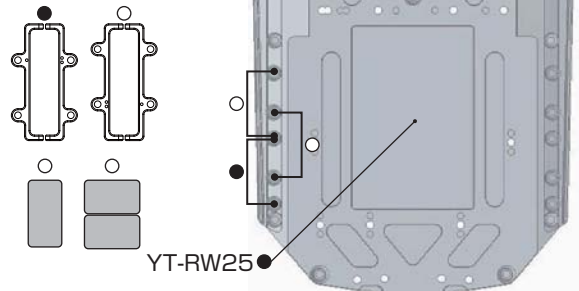
GEAR ⇨ Spur 87T / Pinion 20T : 2.6

BATTERY ⇨ Racing Performer Ultra Li-po 7.4V 5000mAh (Shorty)

ESC ● Racing Performer X Series

○

Battery placement



TIRE

FRONT

TIRE ⇨ T-725C Panther / Clay

INSERTS ⇨ BM-T16

WHEELS ⇨ B4-821

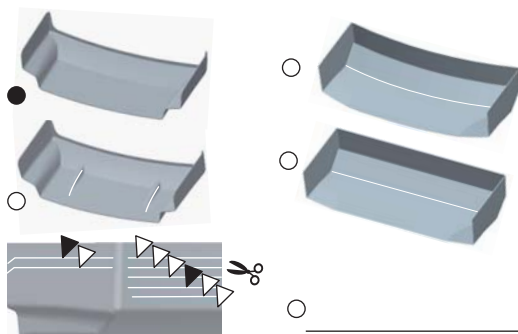
REAR

TIRE ⇨ T-755C Panther / Clay

INSERTS ⇨ BM-T16

WHEELS ⇨ B4-827

OTHER



COMMENT

装着オプションパーツ

Z4-412	Z4-203A	Z4-TBS	Z4-TSS
Z2-415R00	Z4-644H	Z2-670VP	Z2-300RF
B4-300B	Z4-300SRR	Z4-300RFS	Z4-300RRS
Z4-309C	Z4-304C	Z4-304LC	Z2-S2SD
Z2-S2LD	Z2-008R	Z2-010RB	Z2-110

フロントデフは、リヤより少し柔らかめに設定