

YZ-4

SETTING SHEET Ver.02

CIRCUIT 2016全日本スタートセットアップ

●INDOOR ○OUTDOOR

○DIRT ●ASTROTURF ○CARPET ○GLASS ○WOOD

○WET ○DRY ○DUSTY ○SMOOTH ○BUMPY

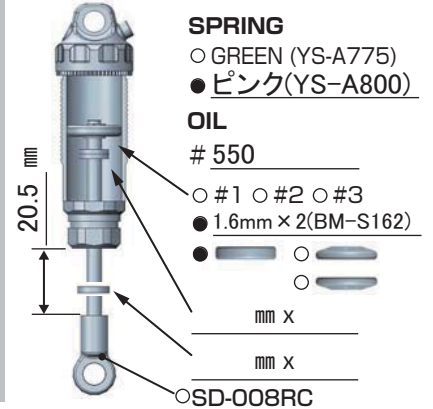
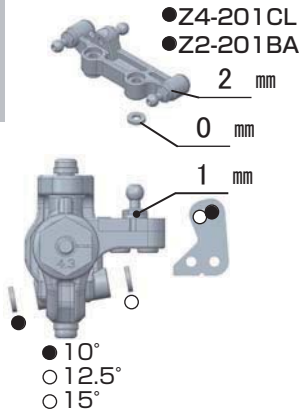
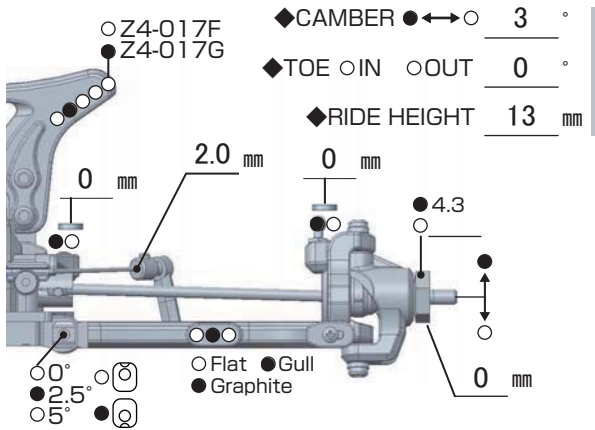
○HARD PACKED ○CLAY ○BIUE GROOVE ○

○LOW TRACTION ○MED TRACTION ○HIGH TRACTION

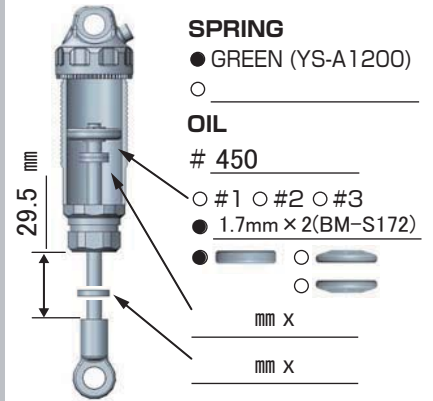
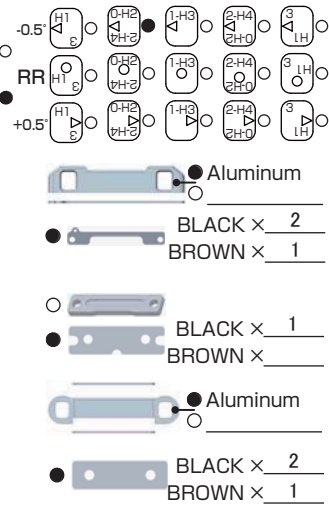
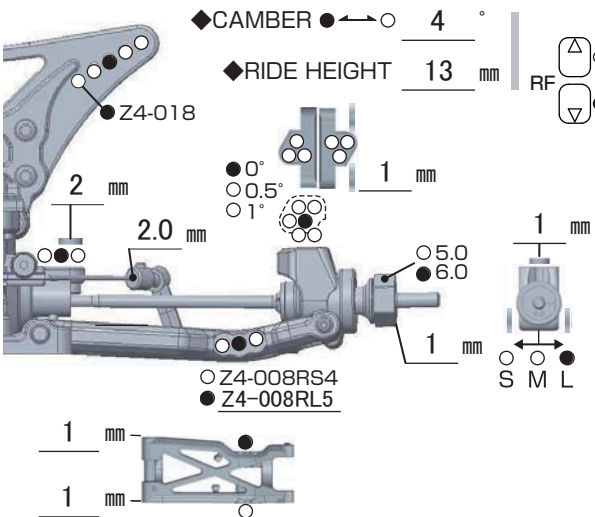
DRIVER 木村心哉

DATE

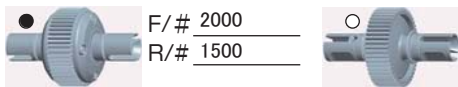
FRONT



REAR



DRIVE



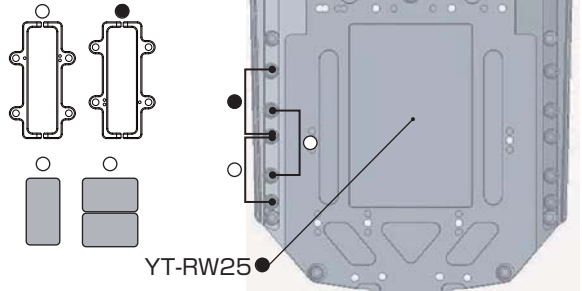
MOTOR ⇨ YOKOMO RP 5.5T Rotor _____ mm

GEAR ⇨ Spur 87 T / Pinion 20 T : 2.6

BATTERY ⇨ YOKOMO RP 5000

ESC ● YOKOMO RPX ○ YOKOMO BL-PRO

Battery placement

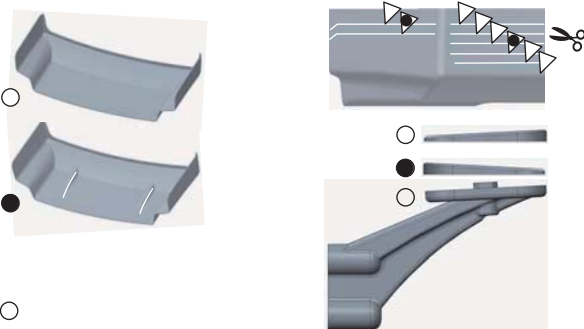


TIRE

FRONT
TIRE ⇨ _____
INSERTS ⇨ _____
WHEELS ⇨ YOKOMO B4-821W

REAR
TIRE ⇨ _____
INSERTS ⇨ _____
WHEELS ⇨ YOKOMO B4-827W

OTHER



COMMENT

Z4-003S ハイフレックスアッパーデッキ
Z4-101LW
Z4-TBS
Z4-TSS
Z2-415R00
Z2-010R2
Z2-670VP
Z2-S2SD
Z2-S2LD
B4-412RH