

B-MAX2MR

SETTING SHEET Ver.05

CIRCUIT

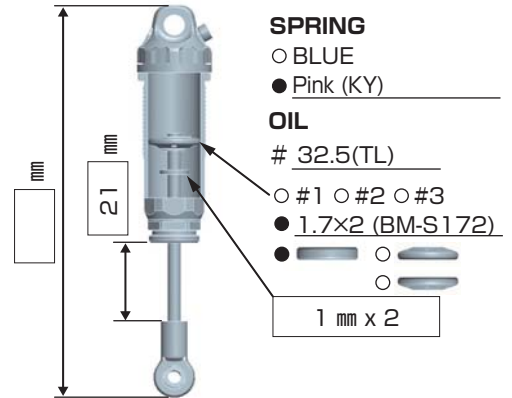
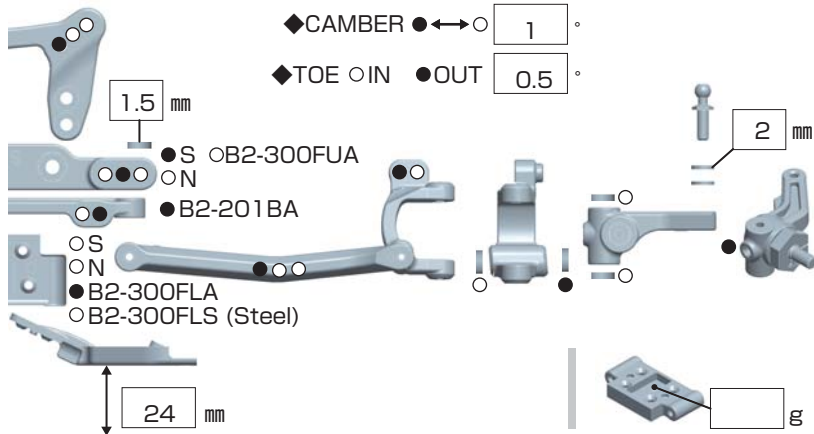
2014 EURO

- INDOOR ○ OUTDOOR
- WET ● DRY ○ DUSTY ○ OTHER
- LOW TRACTION ○ MED TRACTION ○ HIGH TRACTION
- SMOOTH ○ BUMPY ○ BLUE GROOVE ○ ASTROTURF
- CARPET ○ WOOD

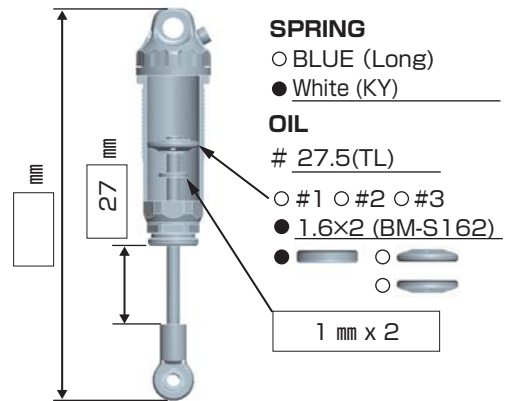
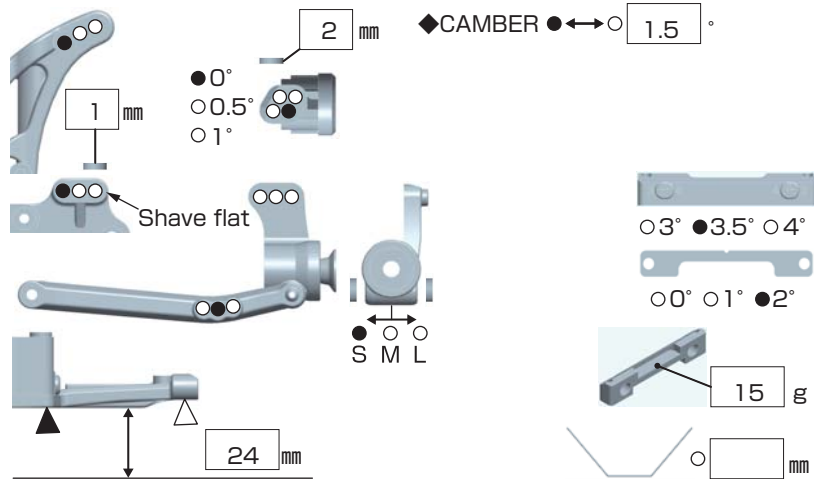
DRIVER Lee Martin

DATE 2014/07/16

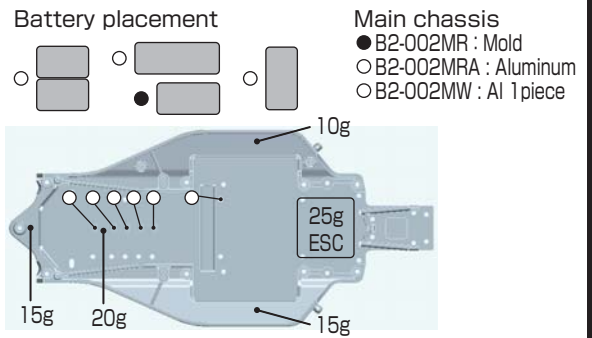
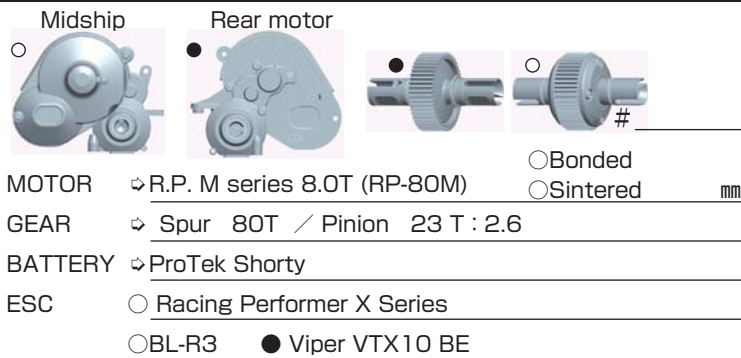
FRONT



REAR



DRIVE



TIRE

FRONT

TIRE ⇨ JC Raunder

INSERTS ⇨ STD

WHEELS ⇨ B2-821HW

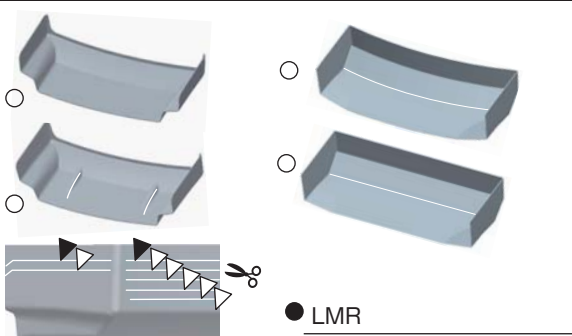
REAR

TIRE ⇨ JC Bar Codes (Hand out)

INSERTS ⇨ PL 2 Stage

WHEELS ⇨ B4-827W

OTHER



COMMENT

- B2-002MR Main chassis (Mold)
- B2-TBS Titanium turnbuckle set
- B4-415ROO Aluminum rear hub career 0°
- B2-HCOV Hex wheel hub conversion
- B4-011R Rear hex wheel hub
- B2-S40 Shock bottom cap (with stepped collar)
- B2-008RM Rear suspension arm (Medium)
- B2-300FLA Aluminum front suspension mount
- B2-S812A Aluminum shock cap