

B-MAX4 II

SETTING SHEET Ver.04

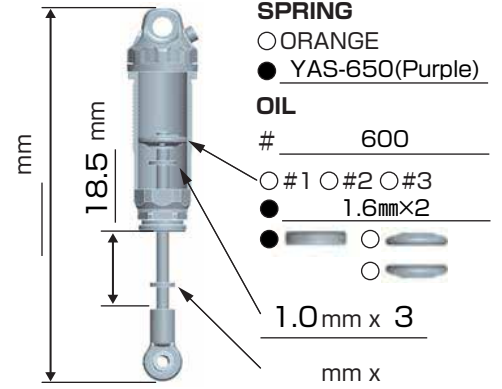
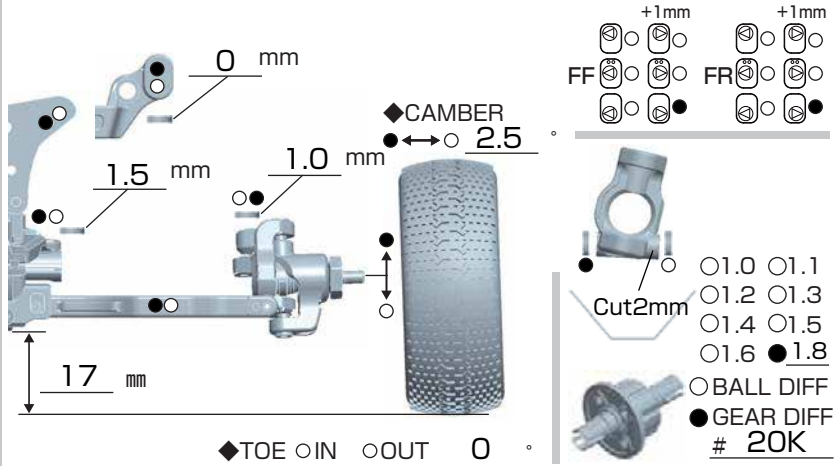
CIRCUIT **EOS Round-2**

- INDOOR OUTDOOR
- WET DRY DUSTY OTHER
- LOW TRACTION MED TRACTION HIGH TRACTION
- SMOOTH BUMPY BLUE GROOVE ASTROTURF
- CARPET WOOD

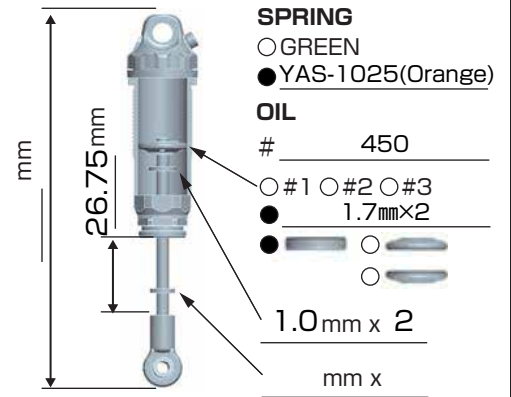
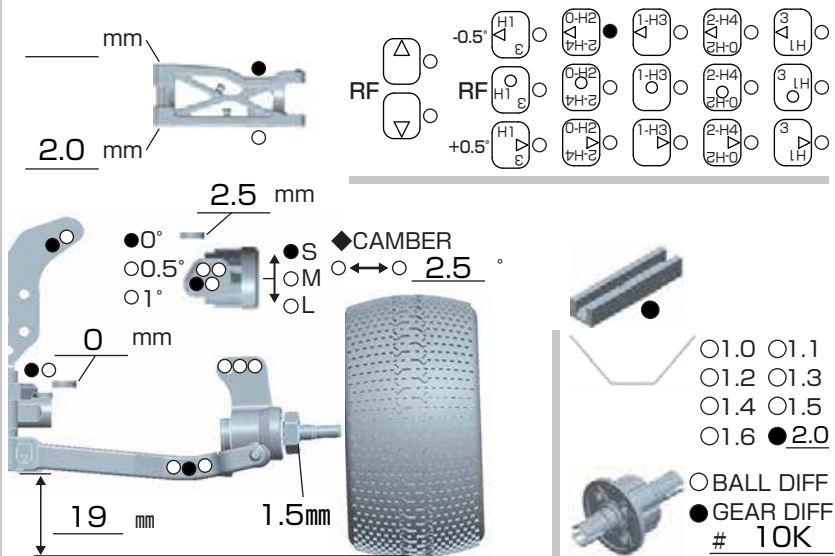
DRIVER **Lee Martin**

DATE **2015/ 02 / 01**

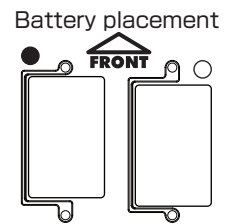
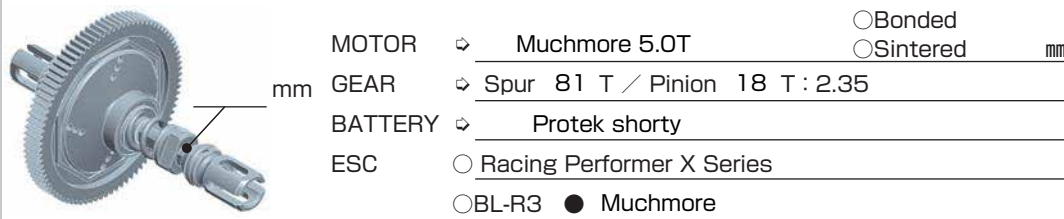
FRONT



REAR



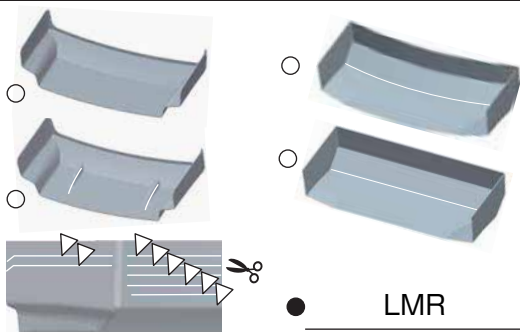
DRIVE



TIRE

FRONT	REAR
TIRE \rightarrow <u>Hand out</u>	TIRE \rightarrow <u>Hand out</u>
INSERTS \rightarrow <u>Hand out</u>	INSERTS \rightarrow <u>Hand out</u>
WHEELS \rightarrow <u>Hand out</u>	WHEELS \rightarrow <u>Hand out</u>

OTHER



COMMENT

- All titanium screw
- All titanium turn buckle
- YZ-2 Rear lower arm
- YZ-2 Drive shaft (60.5mm)
- 6.0mm Wheel hex hub
- YZ-2 shocks