

# YZ4E DTM2 CAL2

## SETTING SHEET Ver.01

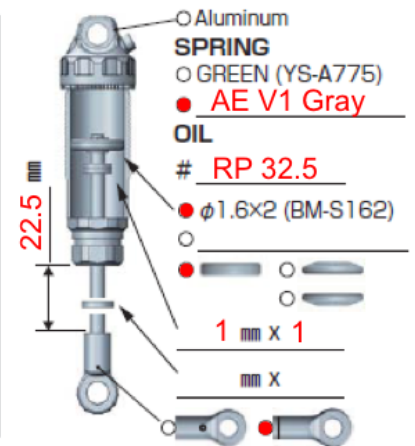
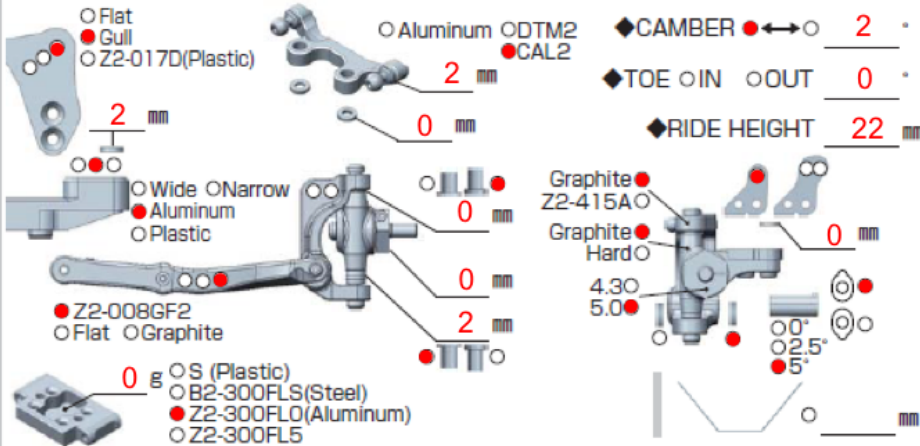
CIRCUIT **Champ stadium (Japan)**

- INDOOR  OUTDOOR
- DIRT  ASTROTURF  CARPET  GLASS  WOOD
- WET  DRY  DUSTY  SMOOTH  BUMPY
- HARD PACKED  CLAY  BLUE GROOVE  \_\_\_\_\_
- LOW TRACTION  MED TRACTION  HIGH TRACTION

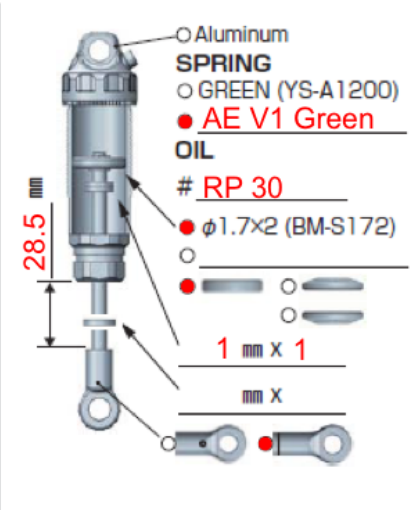
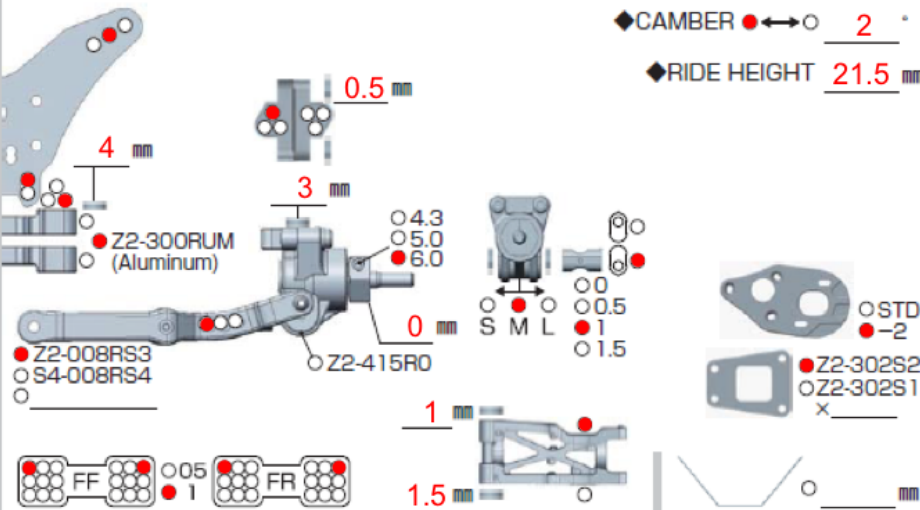
DRIVER **Yusuke Sugiura**

DATE **2019 / 4 / 21**

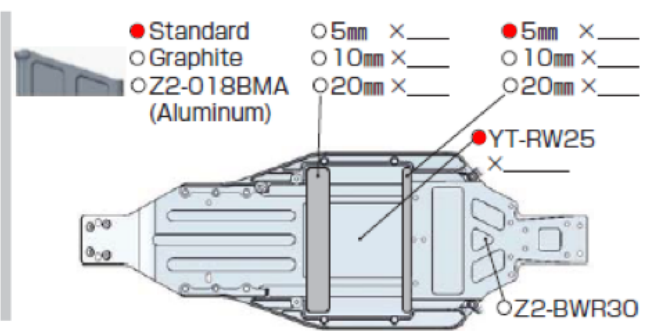
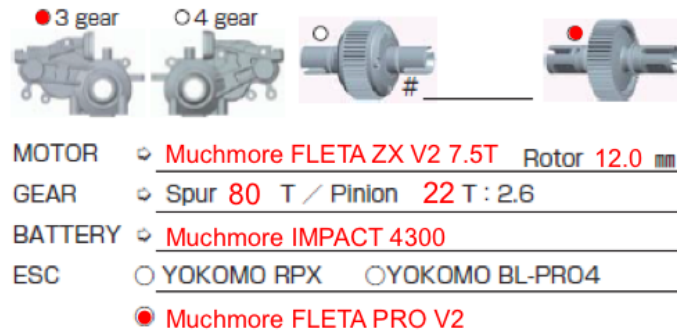
### FRONT



### REAR



### DRIVE

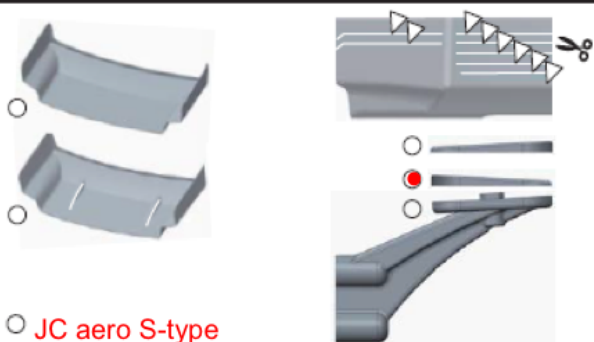


### TIRE

**FRONT**  
**TIRE**  **PL Positron**  
**INSERTS**  **PL**  
**WHEELS**  **Yokomo**

**REAR**  
**TIRE**  **PL Electron**  
**INSERTS**  **PL**  
**WHEELS**  **Yokomo**

### OTHER



### COMMENT

- YZ-2T side guard and battery mounts
- 5 g behind battery in each corner
- 5g behind motor
- 3 dot steering carbon plate
- Low mounting front wing
- YZ2T steering rack and short bell clank used
- Narrow front link aluminum mount
- Servo : SANWA PGS-LH