

B44

:: Driver: Ryan Cavalieri **:: Date:** 2008.2.9-10
:: Track: YATABE ARENA Off-road Track
:: Event: YATABE International Off-road Grand Prix

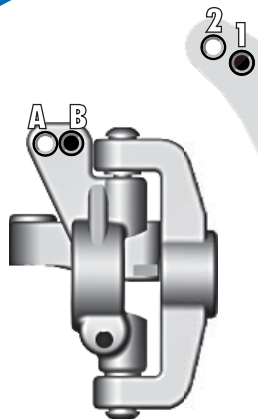
Setup Sheet for Team Associated's B44

Rev. 1

:: Front Suspension

anti-roll bar:
 .047" - black
 .055" - silver

bumpsteer: 2
camber: -1 °
toe: 0 °
ride height: Arm Level mm



steering rack:
back front

washers: 2



notes: _____

:: Rear Suspension

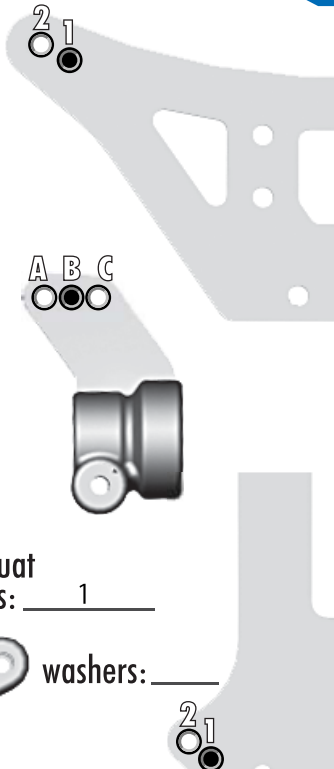
anti-roll bar:
 .047" - black
 .055" - silver

camber: 0 °
toe: STOCK °
ride height: Arm Level mm

wheelbase:
 long
 medium
 short

anti-squat washers: 1

washers: _____



notes: _____

:: Front Shocks

spring: Silver piston: 2
shock fluid: 35 limiters: 1

:: Rear Shocks

spring: Green piston: 1
shock fluid: 30 limiters: 1

:: Differentials

front setting: Tight
rear setting: Medium

:: Wing

type: Proline
angle: 3° 6° 9°

:: Electronics

motor: Orion VORTEX Brushless 6.5
gearing: 81 / 20
esc: LRP Sphere setting: _____

:: Front Tires

tire: Panther T-725C
compound: _____
insert: _____
wheel: _____

:: Rear Tires

tire: Panther T-755C
compound: _____
insert: _____
wheel: _____

:: Race and Vehicle Comments

qualify: _____ main: _____ finish: _____ tq:
comments: _____

:: Track Info

smooth: bumpy: blue groove:
traction: high med. low
soft dirt: grass: clay: wet:
dusty: other: _____

:: More setups: www.RC10.com / www.TeamAssociated.com / www.CompetitionX.com