

YZ-4

SETTING SHEET Ver.02

CIRCUIT YATABE ARENA (Japan Nats 2017)

● INDOOR ○ OUTDOOR

○ DIRT ○ ASTROTURF ● CARPET ○ GLASS ○ WOOD

○ WET ○ DRY ○ DUSTY ● SMOOTH ○ BUMPY

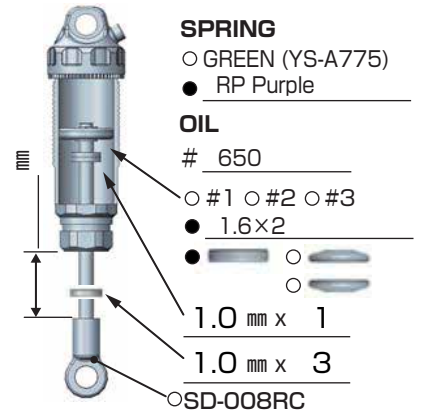
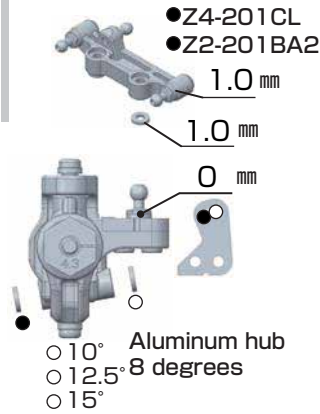
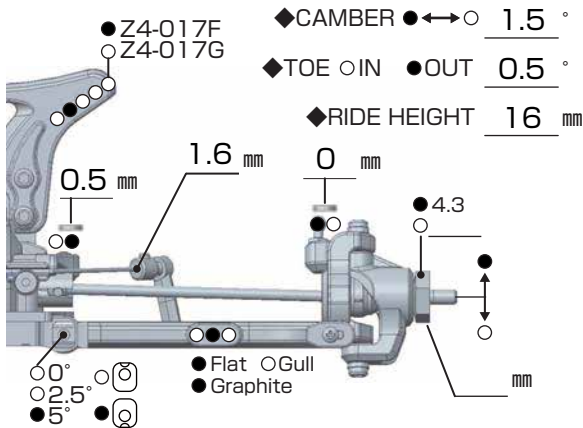
○ HARD PACKED ○ CLAY ○ BLUE GROOVE ○

○ LOW TRACTION ○ MED TRACTION ● HIGH TRACTION

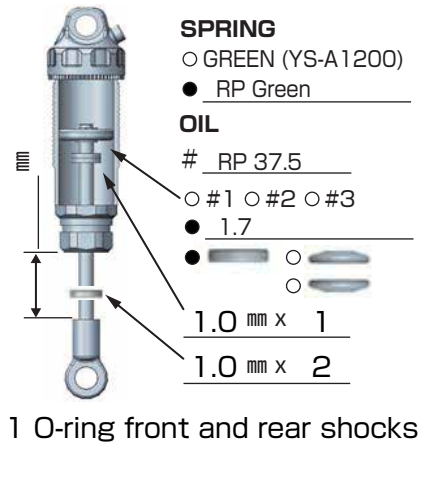
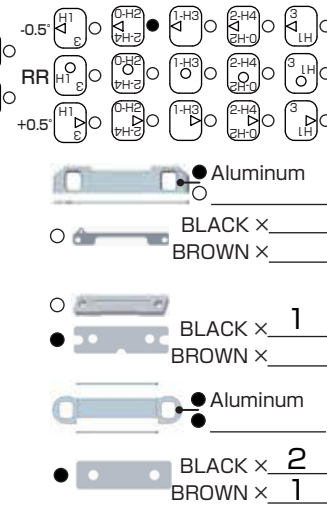
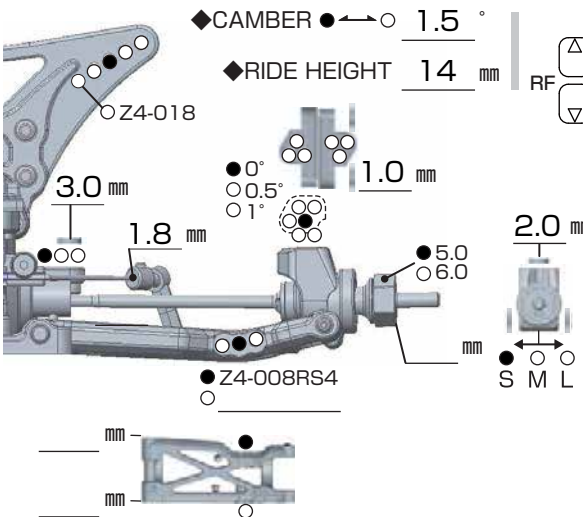
DRIVER Kaito Kodera

DATE 02/Jul/2017

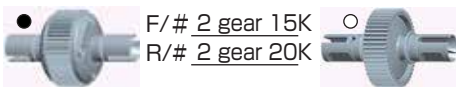
FRONT



REAR

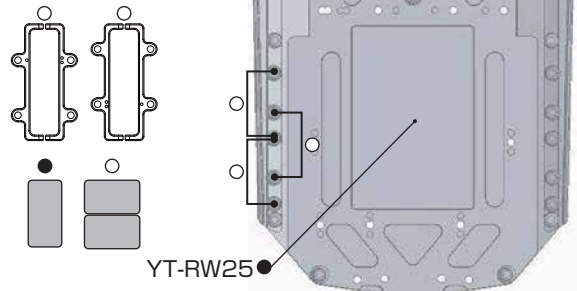


DRIVE



MOTOR ⇨ Racing Performer M3 5.5T Rotor 12.3x5.00 mm
 GEAR ⇨ Spur 87 T / Pinion 20 T : 2.6
 BATTERY ⇨ Racing Performer Ultra 5000mAh 7.4V Shorty
 ESC ○ YOKOMO RPX ● YOKOMO BL-PRO4
 ○

Battery placement

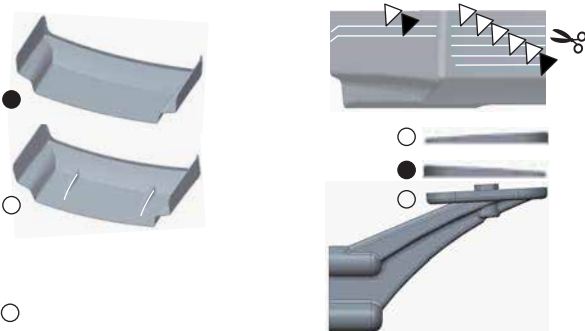


TIRE

FRONT
 TIRE ⇨ Schumacher Wide Stagger
 INSERTS ⇨ Schumacher
 WHEELS ⇨ YOKOMO

REAR
 TIRE ⇨ Schumacher Mini dirt
 INSERTS ⇨ Schumacher
 WHEELS ⇨ YOKOMO

OTHER



COMMENT

J Concepts S2 body shell
 2mm up rear gear box
 2mm down rear shock tower
 DTM rear shock tower support
 Aluminum rear hub
 RF suspension bush 2-4H4 arrows out
 Front suspension mount 2mm down
 Rear suspension mount 2mm up